

Instruction Manual



Micro LED Indicator

PRODUCT FEATURES

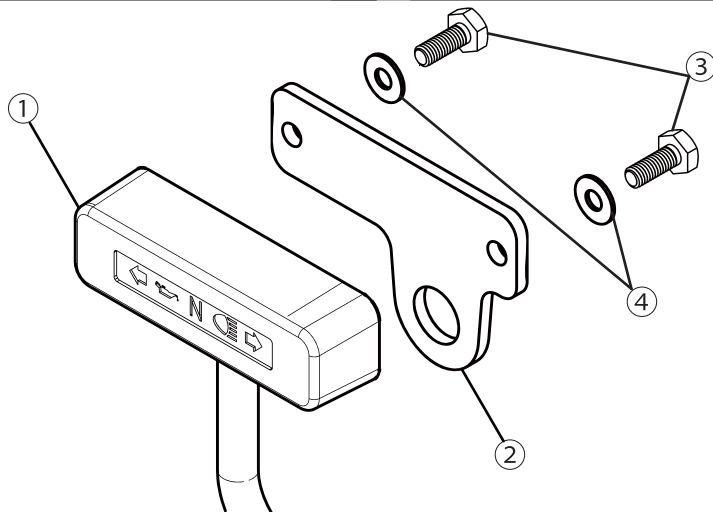
- 5 LED for neutral, hi-beam, oil warning and 2 indicators in CNC Aluminum housing.
- Housing is made of Aluminum and available in chrome plating, black and silver.

⚠ CAUTION

- Read all instructions before use.
- Designed to be used on 12V system vehicle.
(BETA does NOT work with a 6V system or battery-less system.)
- BETA is for universal use, so it needs wiring for installation.
(BETA might not work with some vehicles due to the wire circuit, if you are not sure, consult an experienced dealer.)
(If you are not sure about installation, consult an experienced dealer.)
- Do the wiring referring to the vehicle owner's manual.
- LED is used in BETA. Wrong wiring causes no lightening or destroying.
- Inspect all installed parts after 100km driving. Periodical inspection is required every 500km(300mile). If anything unusual found while driving, pull over at a safe place to check.

COMPONENTS

①	BETA Indicator with wire	1	③	Hex. Head Screw (M3×8)	2
②	Bracket	1	④	Flat Washer (φ3×7×0.5t)	2



HOW TO INSTALL

- 1 Install ① BETA Indicator with wire onto ② Bracket using ④ Flat Washer (φ3×7×0.5t) and ③ Hex. Head Screw (M3×8) and tighten by a certain torque.
- 2 Refer to the vehicle owner's manual and connect each wire.
*Cut the wires if needed and refer to [how to connect wires].
*OEM Wiring Color List is only for your reference. Wiring color might be different between the model, country, or model year. Please check with the vehicle owner's manual or voltmeter.
- 3 Check each LED is lightened, if no problem, finish the installation.

WIRING

※how to connect wires

- ① Strip the covering of each wire.
wire from bike
wire from BETA
- ② Tangle the core wires. (※Soldering is recommended.)
- ③ Bind the connected area with insulating tape.

[OEM Wiring Color List]

BETA	WHITE	RED	BLACK	BROWN	PINK	YELLOW	GREEN
	Direction Indicator (L) ⊕	Warning ⊕ & Neutral ⊕	Warning ⊖	Neutral ⊖	Hi-beam ⊕	Direction Indicator (R) ⊕	Direction Indicator (L&R) ⊖ & Hi-beam ⊖
HONDA	orange	black/brown or pink/blue	blue/red	light green/red or light green	blue	light blue	green
YAMAHA	dark brown	brown	black/red	light blue	yellow	dark green	black
SUZUKI	black	orange	green/yellow	blue	yellow	light green	black/white
KAWASAKI	green	brown/white	blue/red	light green	red/black	gray	black/yellow
H-D all models (96UP)	violet	orange	green/yellow	tan	white	brown	black

※OEM Wiring Color List is only for your reference. Wiring color might be different between the model, country, or model year. Please check with the vehicle owner's manual or voltmeter.