

INSTRUCTION MANUAL

STEERING DAMPER KIT

for H-D FXD/FXDL/FXDS ('91-'05)

Thank you for purchasing DAYTONA STEERING DAMPER KIT.

Product Features

- Stabilizes steering especially at high speed.
- Prevents the front forks from being twisted at high speed cornering.
- The kit comes with complete bracket kit for easy mounting.

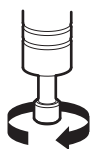


1. Read all instructions before use.
2. After installation, check to see if all the parts are correctly installed, and see if all the screws are torqued properly.
3. Do not adjust the damper while running.
4. Periodical inspection of the installed parts is required every 500km (300mile). If anything unusual may be found while driving, pull over at a safe place to check.

Install

*Install stabilizer on the left side of motorcycle.

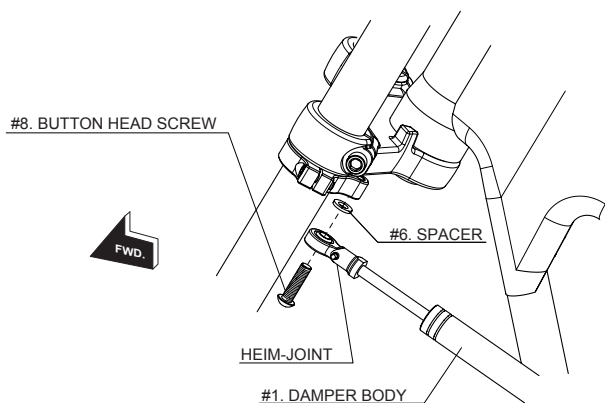
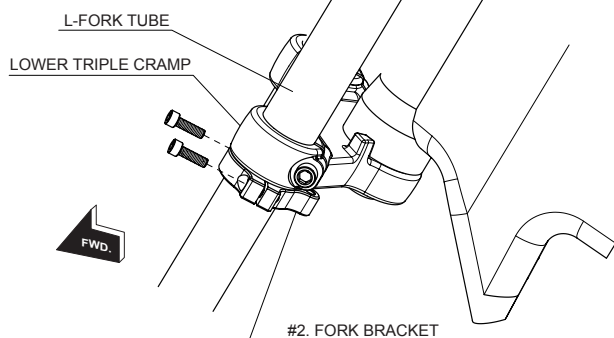
Fig.1



Softer

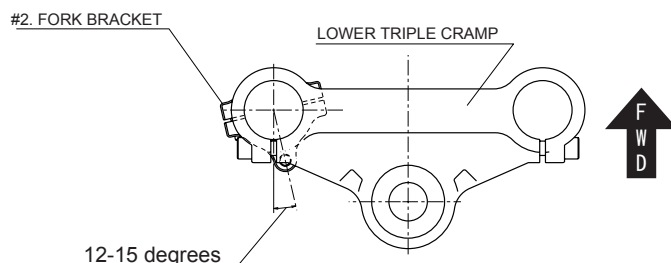
Before installing, turn the adjustable knob counter-clockwise to the end.

1. Attach fork bracket(#2) on the left front fork tube.

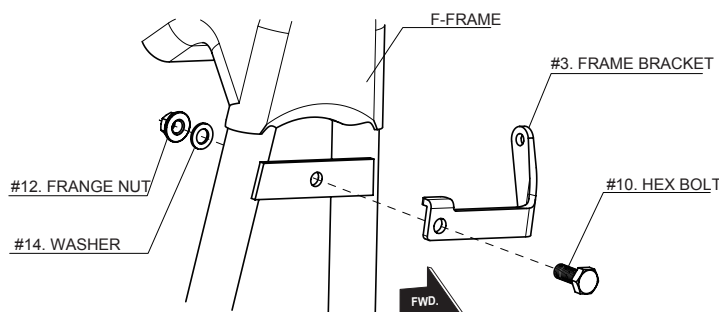


****CAUTION****

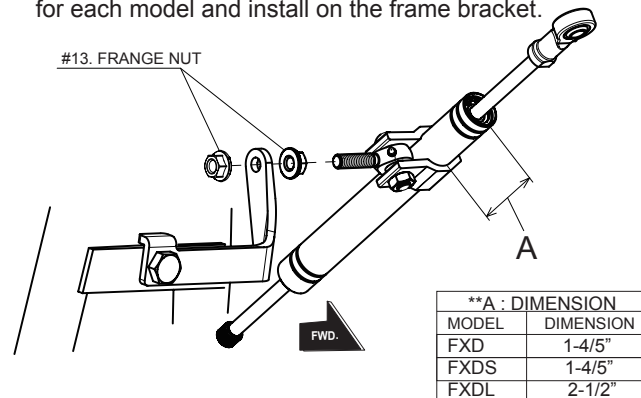
Make sure the Fork Bracket or Heim-Joint. Do not hit the Front Brake Line under the steering stem when the steering is fully turned to the left.



2. Attach frame bracket(#3) with the supplied Hex-bolt(#10), washer(#14) and nut(#12) on the front side frame.



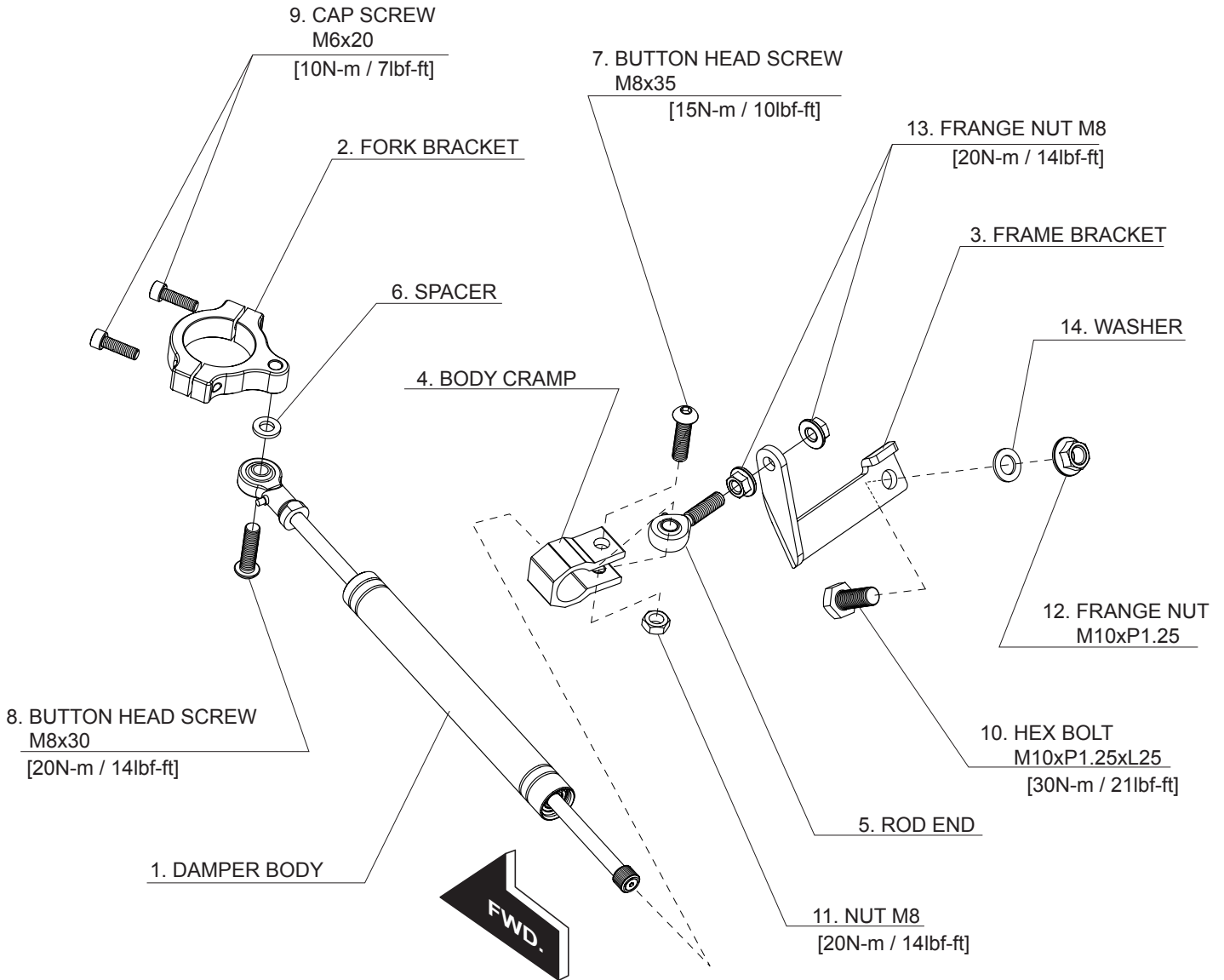
3. Place body clamp on stabilizer body as the chart indicates for each model and install on the frame bracket.



DO NOT tighten the body clamp too strong. The stabilizer body can be damaged.

4. Turn handlebar and check the steering to see if it reaches both right and left steering stoppers completely. Make sure the stabilizer does not hit or rub against the fork tube, frame, engine or the front brake line under the steering stem.
5. Tighten all bolts and nuts after to make sure the installation done right. Then adjust to the best strength of damoening.

**Each motorcycle has different tolerance. Therefore, different combination of the fork bracket angle and the body clamp may be necessary within small range instead of indicated positions by the diagrams. Adjust the bracket and the body clamp to the set stabilizer on the best position if necessary.



DAYTONA

HIGH PERFORMANCE PARTS AND ACCESSORIES FOR ALL MOTORCYCLE LOVERS.

http://www.daytona-global.com