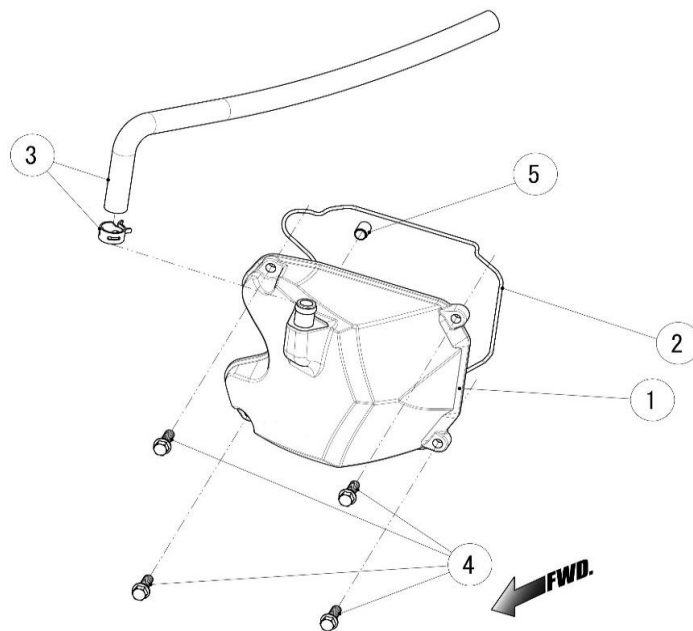


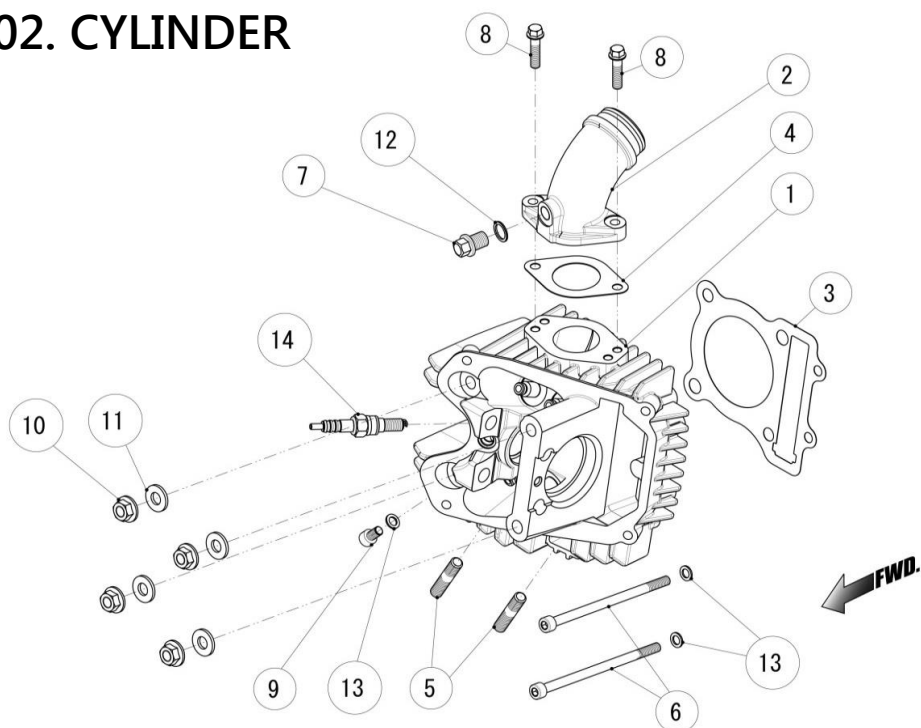
01. CYLINDER HEAD



Ref No.	Part No.	DESCRIPTION	QTY	REMARKS
1	87994	COVER, CYLINDER HEAD	1	
2	86434	O-RING, COVER HEAD	1	
3	86371	HOSE, BREATHER	1	
4	86468	BOLT, HEXAGON FLANGE M6x18	4	
5	83747	PIN, DOWEL $\Phi 8 \times \Phi 6.3 \times 12$	1	

PL-ANIMA190FDS

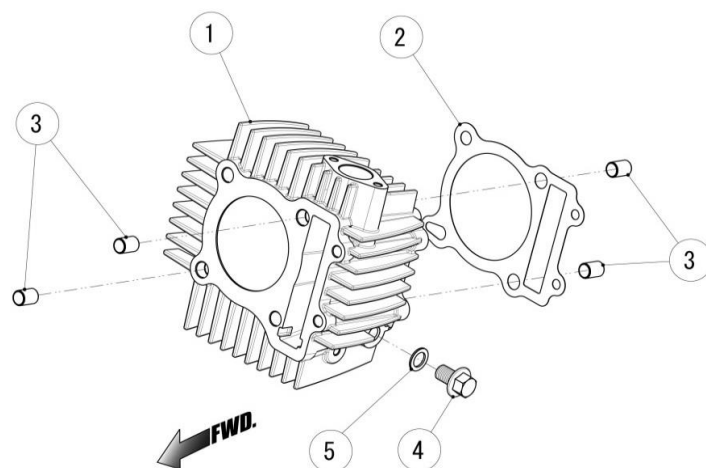
02. CYLINDER



Ref No.	Part No.	DESCRIPTION	QTY	REMARKS
1	87993	HEAD, CYLINDER	1	
2	87990	MANIFOLD, INTAKE	1	
3	86440	GASKET, HEAD CYLINDER	1	t=0.25
4	86405	GASKET, MANIFOLD	1	
5	88027	BOLT, STUD M8X40	2	
6	86459	BOLT, HEXAGON SOCKET M6X108	2	
7	87992	BOLT, M10X12	1	
8	86470	BOLT, HEXAGON FLANGE M6X25	2	
9	88028	BOLT, HEXAGON SOCKET M6X10	1	
10	86451	NUT, FLANGE M8	4	
11	86457	WASHER, GASKET M8	4	
12	87991	WASHER, $\phi 10 \times \phi 16 \times 1.2$	1	
13	88029	WASHER, $\phi 6.2 \times \phi 10 \times 1$	3	
14	86429	SPARK PLUG ER9EH-6N	1	M8XP1.0
14	87008	SPARK PLUG ER9EH	1	ALTERNATIVE

PL-ANIMA190FDS

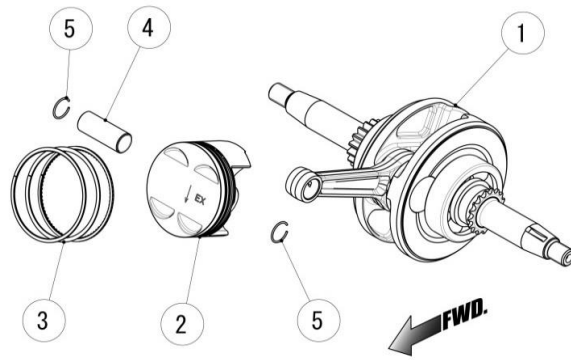
03. CYLINDER



Ref No.	Part No.	DESCRIPTION	QTY	REMARKS
1	88030	CYLINDER	1	BORE 62.0mm
2	86436	GASKET, BASE CYLINDER	1	t=0.25
3	83720	PIN, DOWEL $\Phi 10 \times \Phi 8.4 \times 14$	4	
4	86448	BOLT, HEXAGON FLANGE M10X16	1	
5	87991	WASHER, $\Phi 10 \times \Phi 16 \times 1.2$	1	

PL-ANIMA190FDS

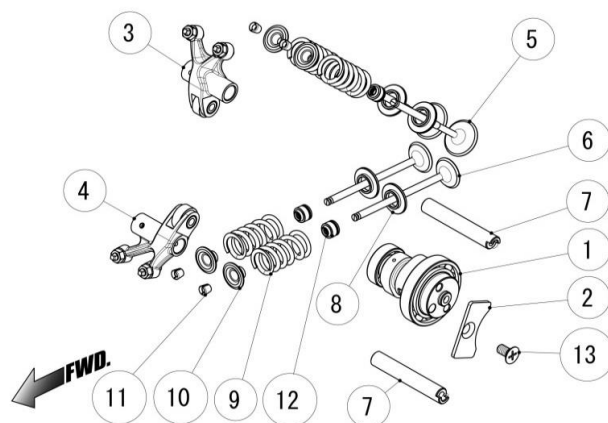
04. CRANK / PISTON



Ref No.	Part No.	DESCRIPTION	QTY	REMARKS
1	87995	CRANK SHAFT ASSY., DT190-PM	1	
2	86621	PISTON for 190F	1	BORE 62.0mm
3	86380	RING SET, PISTON	1	
4	86379	PIN, PISTON Φ 14	1	
5	86453	CLIP, PIN PISTON	2	

PL-ANIMA190FDS

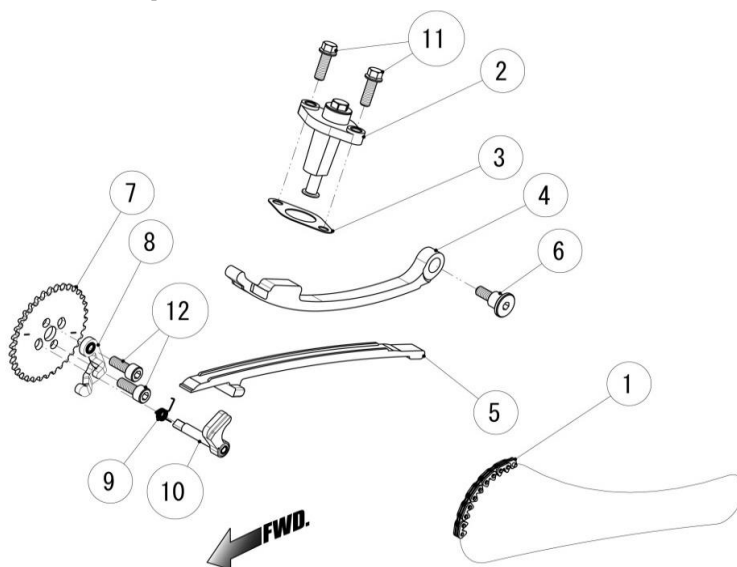
05. CAMSHAFT / VALVE



Ref No.	Part No.	DESCRIPTION	QTY	REMARKS
1	86878	CAMSHAFT COMP., 240 ROLLER	1	
2	86389	PLATE, STOPPER CAM	1	
3	86393	ROCKER ARM ASSY., INTAKE	1	
4	86481	ROCKER ARM ASSY., EXHAUST	1	
5	86397	INTAKE VALVE	2	
6	86623	EXHAUST VALVE	2	
7	86392	SHAFT, ROCKER	2	
8	86401	SEAT, SPRING VALVE	4	
9	86624	VALVE, SPRING for 190F	4	
10	86400	RETAINER, SPRING VALVE	4	
11	86402	COTTER, VALVE	8	
12	86403	SEAL, VALVE STEM	4	
13	86460	SCREW, M6X12	1	

PL-ANIMA190FDS

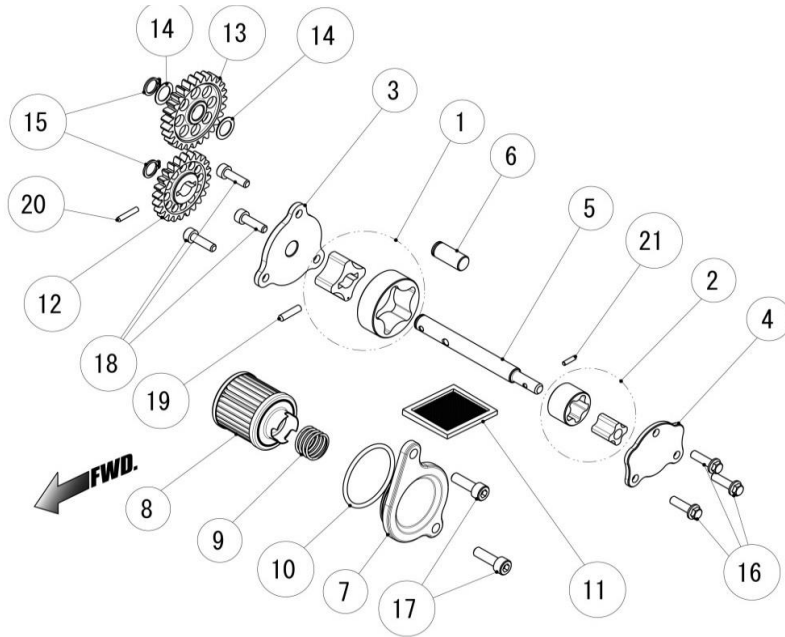
06. CAMCHAIN / TENSIONER



Ref No.	Part No.	DESCRIPTION	QTY	REMARKS
1	86391	CHAIN, CAMSHAFT DRIVE	1	94L
2	86396	TENSIONER COMP., CAM CHAIN	1	
3	86439	GASKET, TENSIONER	1	
4	86394	TENSION PLATE ASSY.	1	
5	86395	GUIDE PLATE, CHAIN	1	
6	86447	BOLT, TENSIONER PIVOT	1	
7	86879	SPROCKET, CAMSHAFT DRIVEN	1	34T
8	87620	PLATE, STOPPER DECOMP V2	1	
9	87621	SPRING, RETURN DECOMP V2	1	
10	87622	SHAFT, W/WEIGHT DECOMP V2	1	
11	83716	BOLT, HEXAGON FLANGE M6X20	2	
12	86883	BOLT, HEXAGON SOCKET M6X16	2	

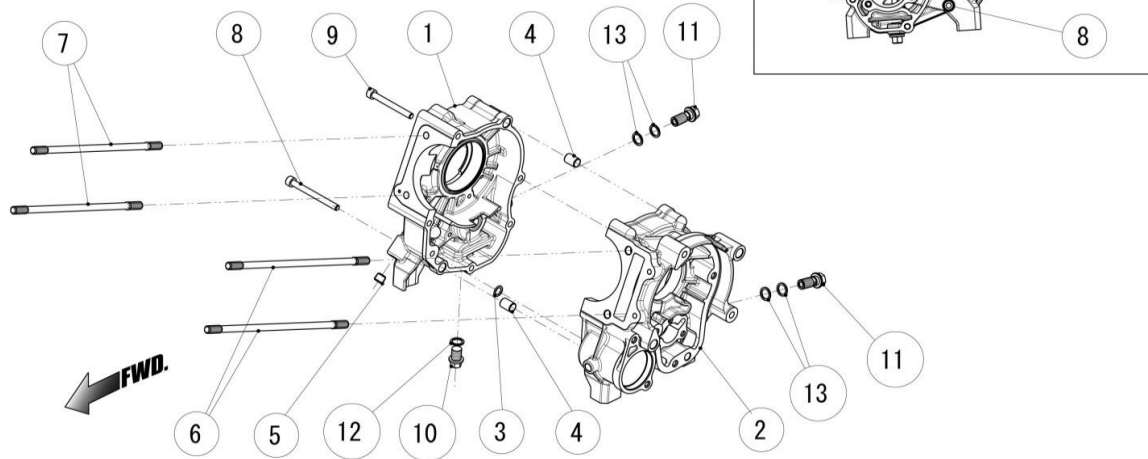
PL-ANIMA190FDS

07. OIL PUMP



Ref No.	Part No.	DESCRIPTION	QTY	REMARKS
1	87997	ROTOR, OIL PUMP SCAVENGE	1	
2	87996	ROTOR, OIL PUMP FEED	1	
3	88000	COVER, OIL PUMP	1	
4	87999	COVER, FEED OILPUMP	1	
5	88001	SHAFT, OIL PUMP	1	
6	87998	SHAFT, OIL PUMP GEAR	1	
7	88007	COVER, OIL FILTER	1	
8	86384	OIL FILTER	1	
9	86375	SPRING, OIL FILTER	1	
10	86432	O-RING, $\Phi 38.6 \times 2.6$	1	
11	88053	SCREEN, OIL FILTER	1	
12	87988	GEAR, OILPUMP DRIVEN 24T	1	
13	87989	GEAR, OILPUMP IDLE 27T	1	
14	88031	WASHER, $\Phi 10.2 \times \Phi 15 \times 0.5$	2	
15	88032	RETAINING RING, 10	2	
16	88033	BOLT, HEXAGON FLANGE M5x18	3	
17	86489	BOLT, HEXAGON SOCKET M6X20	2	
18	88033	BOLT, HEXAGON SOCKET M5X18	3	
19	88034	PIN, $\Phi 4 \times 15.8$	1	
20	88035	PIN, $\Phi 3 \times 16$	1	
21	88036	PIN, $\Phi 2.5 \times 10$	1	

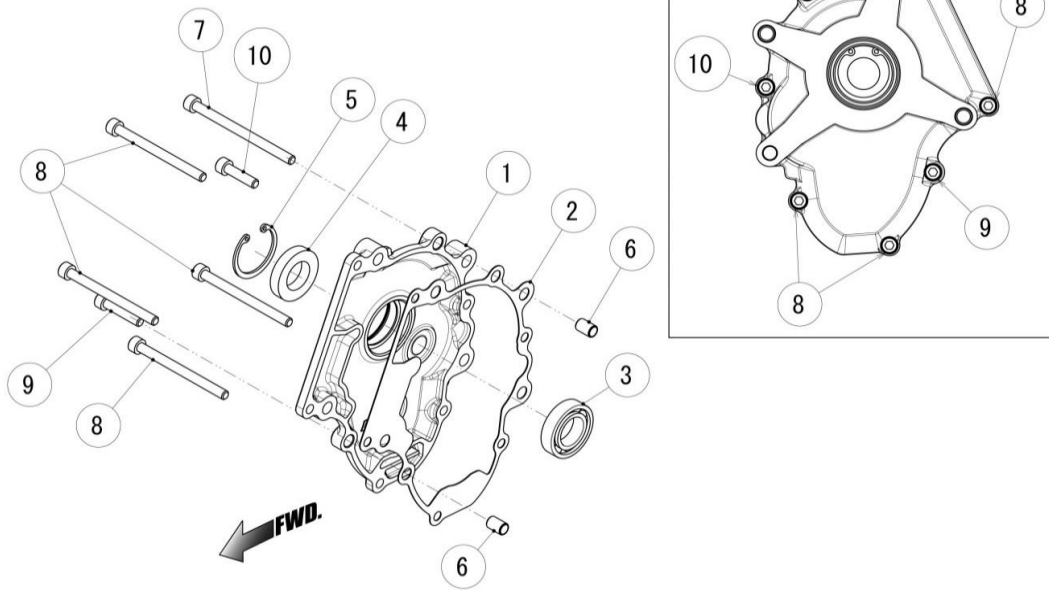
08. CRANKCASE



Ref No.	Part No.	DESCRIPTION	QTY	REMARKS
1	88003	CRANK CASE, RH	1	
2	88002	CRANK CASE, LH	1	
3	88037	O-RING, $\Phi 8 \times 1.8$	1	
4	83720	PIN, DOWEL $\Phi 10 \times \Phi 8.4 \times 14$	2	
5	88008	PLUG, TAPER	1	
6	86444	BOLT, STUD A 223mm	2	
7	86445	BOLT, STUD B 203.5mm	2	
8	88038	BOLT, HEXAGON SOCKET M6X65	1	
9	86493	BOLT, HEXAGON SOCKET M6X55	1	
10	87992	BOLT, M10X12	1	
11	86486	BOLT, BANJO M10	2	
12	87991	WASHER, $\Phi 10 \times \Phi 16 \times 1.2$	1	
13	86476	WASHER, $\Phi 10 \times \Phi 14 \times 1$	4	

PL-ANIMA190FDS

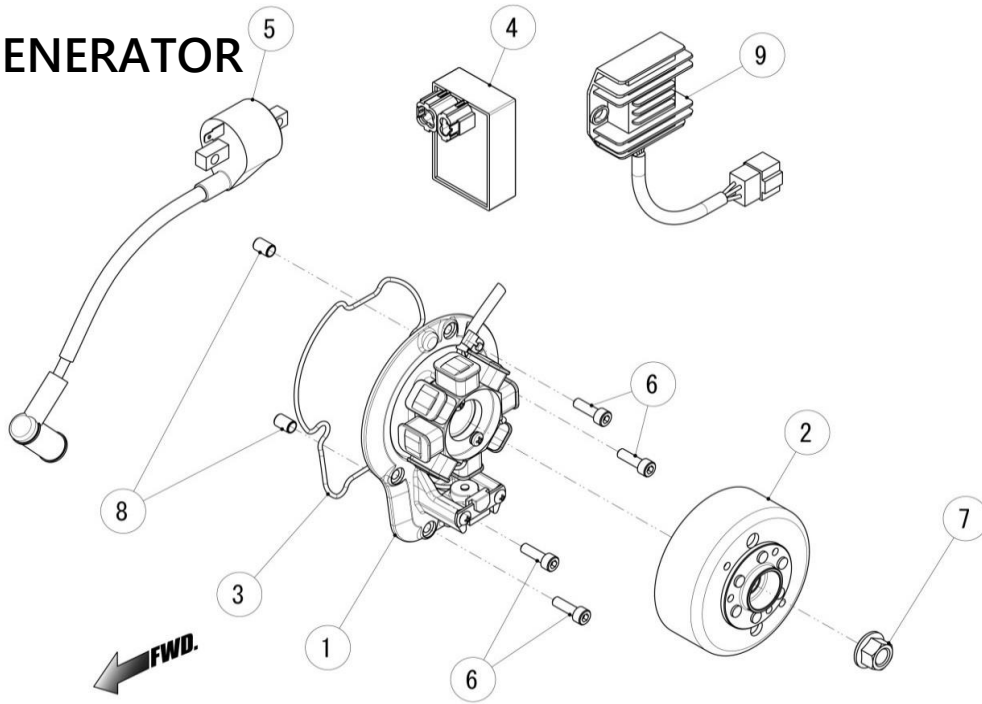
09. CRANKCASE COVER



Ref No.	Part No.	DESCRIPTION	QTY	REMARKS
1	88004	COVER, RH CRANKCASE	1	
2	88005	GASKET, R. CRANKCASE COVER	1	
3	88039	BEARING 6904	1	
4	88040	OIL SEAL, $\Phi 20 \times \Phi 35 \times 7$	1	
5	88041	RETAINING RING 35	1	
6	83747	PIN, DOWEL $\Phi 8 \times \Phi 6.3 \times 12$	2	
7	88042	BOLT, HEXAGON SOCKET M6X85	1	
8	86494	BOLT, HEXAGON SOCKET M6X75	4	
9	88043	BOLT, HEXAGON SOCKET M6X30	1	
10	86490	BOLT, HEXAGON SOCKET M6X25	1	

PL-ANIMA190FDS

10. GENERATOR



Ref No.	Part No.	DESCRIPTION	QTY	REMARKS
1	88044	STATOR ASSY., INCRUDE HARNESS	1	
2	89678	ROTOR ASSY., MAGNETO	1	
3	88009	SEAL RING, LH COVER	1	
4	(86427)	BOX, CDI for FDS	1	
5	86426	IGNITION COIL	1	
6	86489	BOLT, HEXAGON SOCKET M6X20	4	
7	86452	NUT, MAGNETO M12	1	
8	83747	PIN, DOWEL $\Phi 8 \times \Phi 6.3 \times 12$	2	
9	87189	REGULATE RECTIFIER	1	

PL-ANIMA190FDS