

INSTRUCTION

STEERING DAMPER KIT

for Harley Davidson FLT 1999-2008

Thank you for purchasing DAYTONA STEERING DAMPER KIT.

Product Features

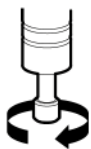
- Stabilizes steering especially at high speed.
- Prevents the front forks from being twisted at high speed cornering.
- The kit comes with complete bracket kit for easy mounting. Must be cut down a little plastic fork cover.



1. Read all instructions before use.
2. After installation, check to see if all the parts are correctly installed, and see if all the screws are torqued properly.
3. Do not adjust the damper while running.
4. Periodical inspection of the installed parts is required every 500km (300mile). If anything unusual may be found while driving, pull over at a safe place to check.

Install

Fig.1



Before installing, turn the adjustable knob counter-clockwise to the end.

Softer

Place the FRONT FORK BRACKET(#4) on the right side over the triple tree.

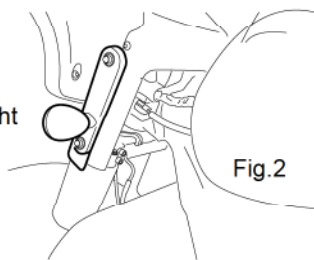
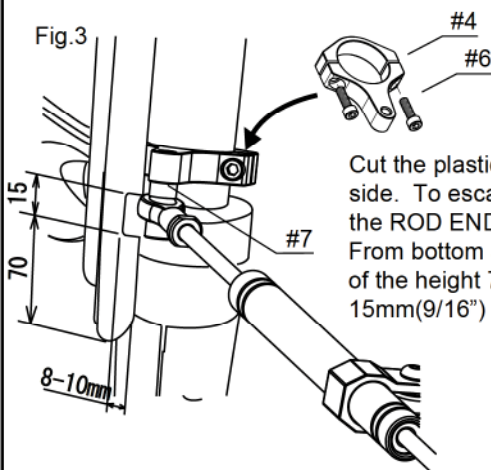


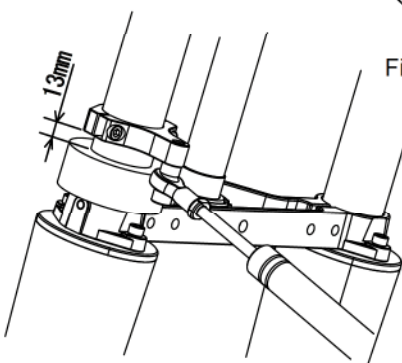
Fig.2

Fig.3



Cut the plastic piece on the cover side. To escape the contact of the ROD END joint. From bottom side in the location of the height 70mm(2-3/4") Width 15mm(9/16") depth 8mm(5/16").

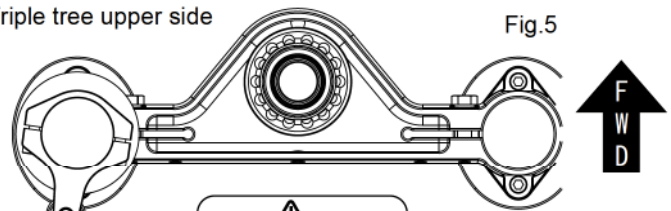
Fig.4



Distance between front fork brackets and on the triple tree fork stops are approx. 13 mm(1.1").

Triple tree upper side

Fig.5



Be sure that the lubricator is to be faced inward.

Connect the DAMPER BODY(#1) with a SPACER(#7).

Adjust the FRONT FORK BRACKET(#5) position. Make sure FRONT FORK BRACKET(#5) & DAMPER BODY(#1) do not hit motorcycle frame neck when turning the handle to the leftmost.

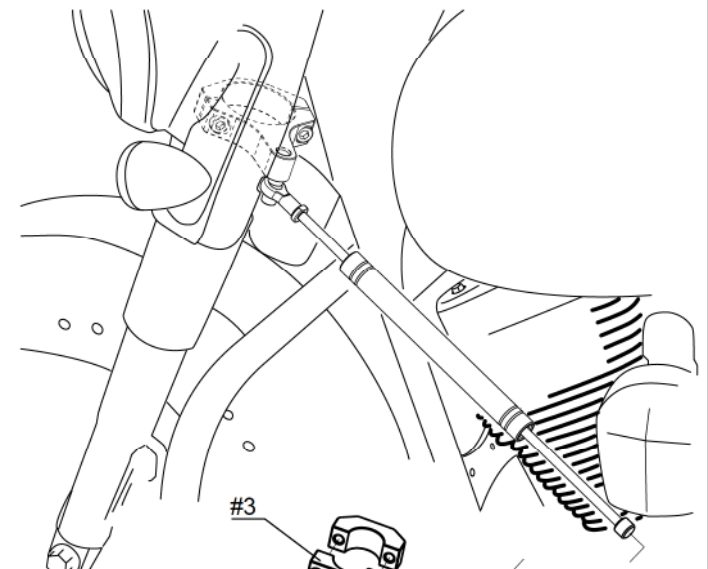


Fig.6

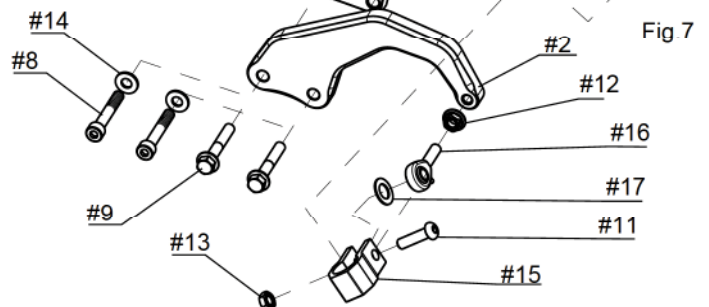
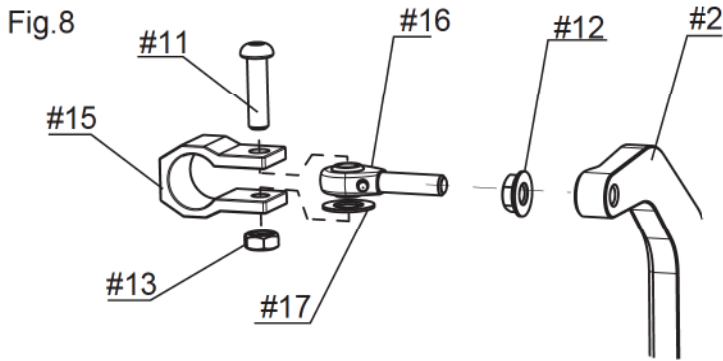
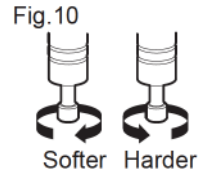
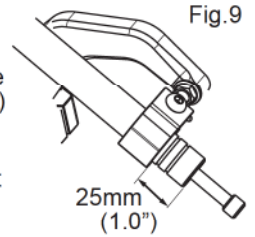


Fig.7

Install FRAME BRACKET(#2), FRAME CLAMP(#3) and BODY CLAMP(#15).



Adjust the DAMPER BODY(#1) position. Make sure DAMPER BODY(#1) doesn't hit any part of motorcycle when turning the handle to the leftmost and rightmost.



How to ast the damping force
Turn the adjustable knob clockwise → Harder
Turn the adjustable knob counter-clockwise → Softer

