

INSTRUCTION

CYLINDER

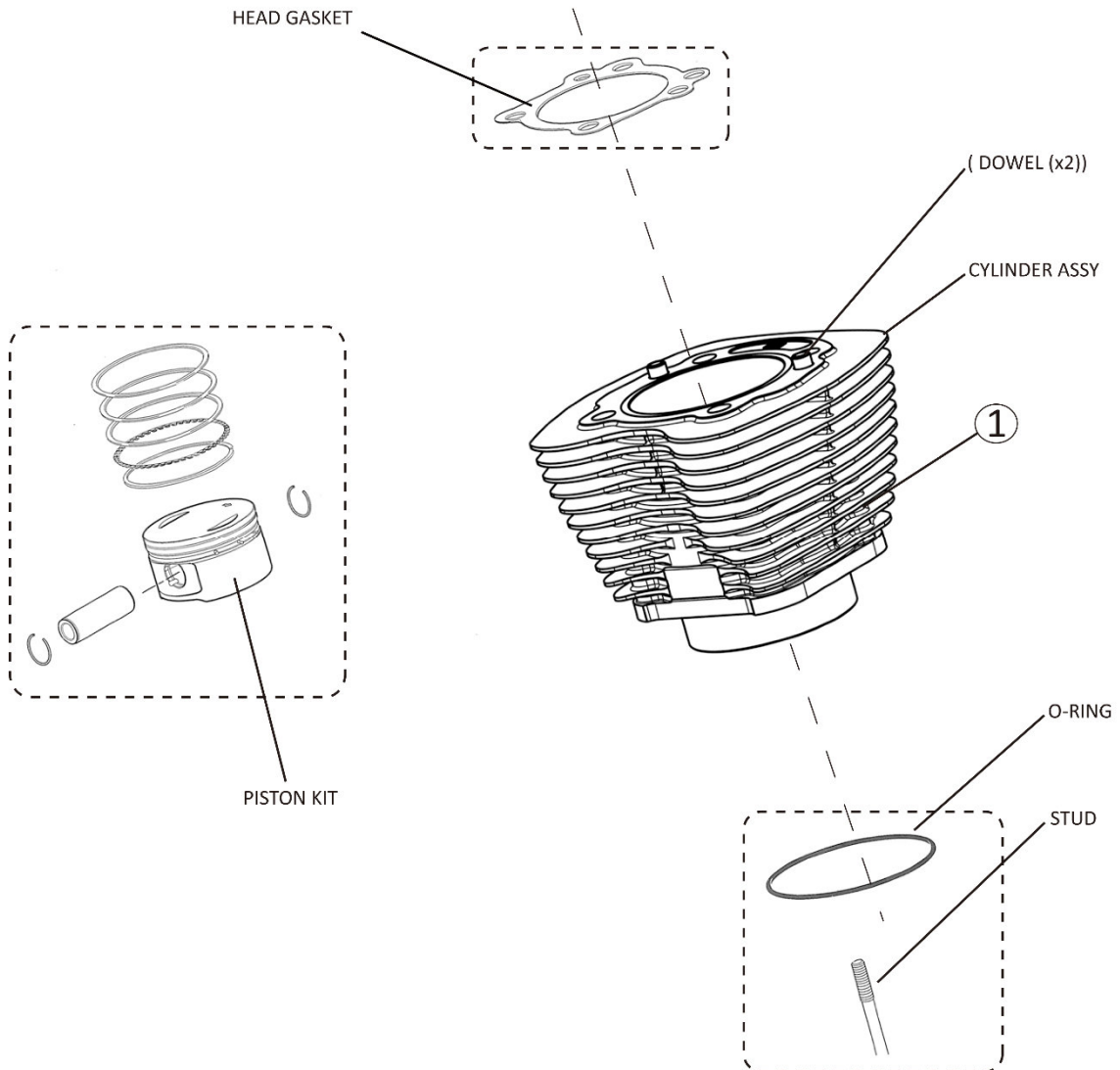
for Harley Davidson TC103 / 3.875"

- This replacement cylinder fits the engine of TC103 / 3.875".
- No crankcase machining required for installation.
- Combine with HD's original "PISTON & RINGS ASSEMBLY" part number 21962-07 (TC103) or for compatible piston KIT.
- The front and rear cylinders are a common shape.



INSTALLATION

- See the service manual. Install cylinders.
- See the parts catalog for each models.
- Wash and air blow before assembling the cylinder.
- Piston Kit, gasket, O-ring to replace the new parts.



No.	PART NAME	QTY
1	CYLINDER ASSY / with DOWEL PIN	1