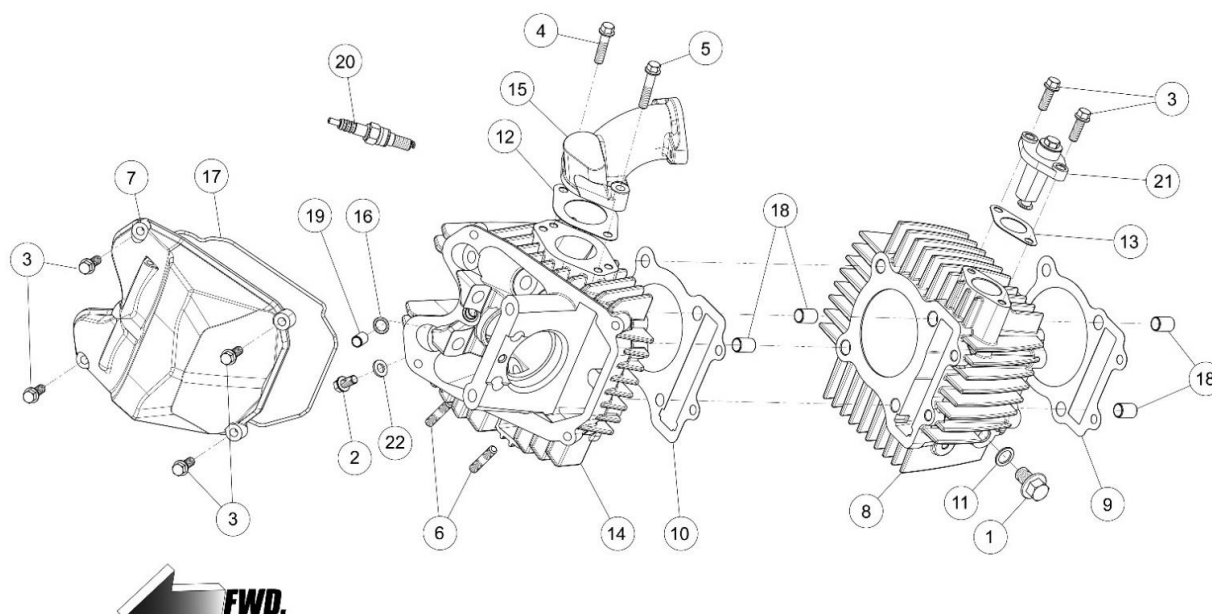
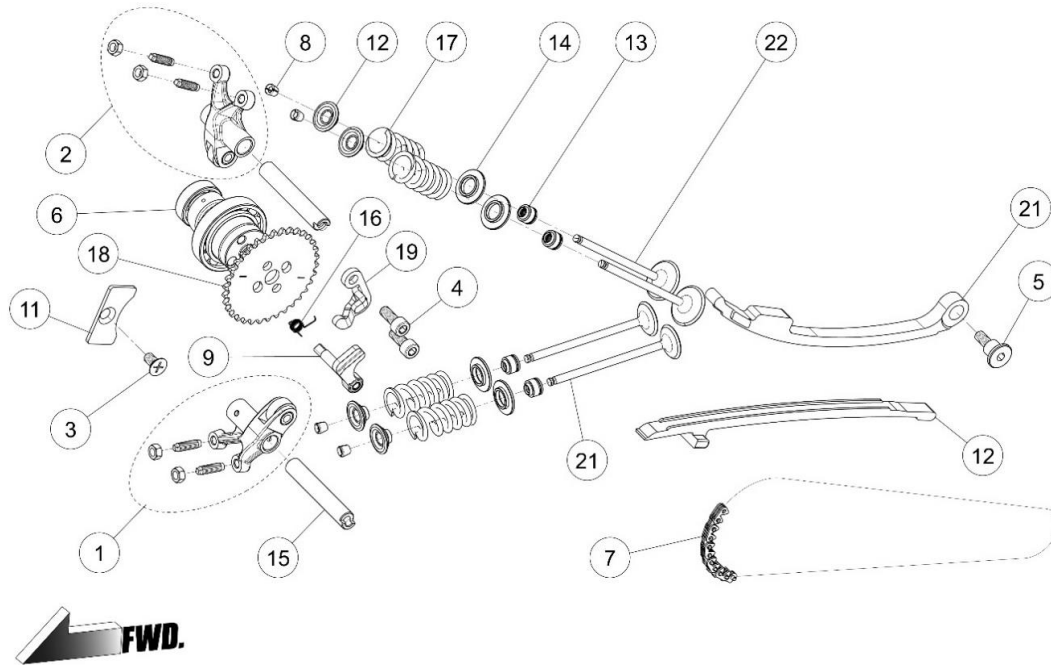


01. CYLINDER HEAD / CYLINDER



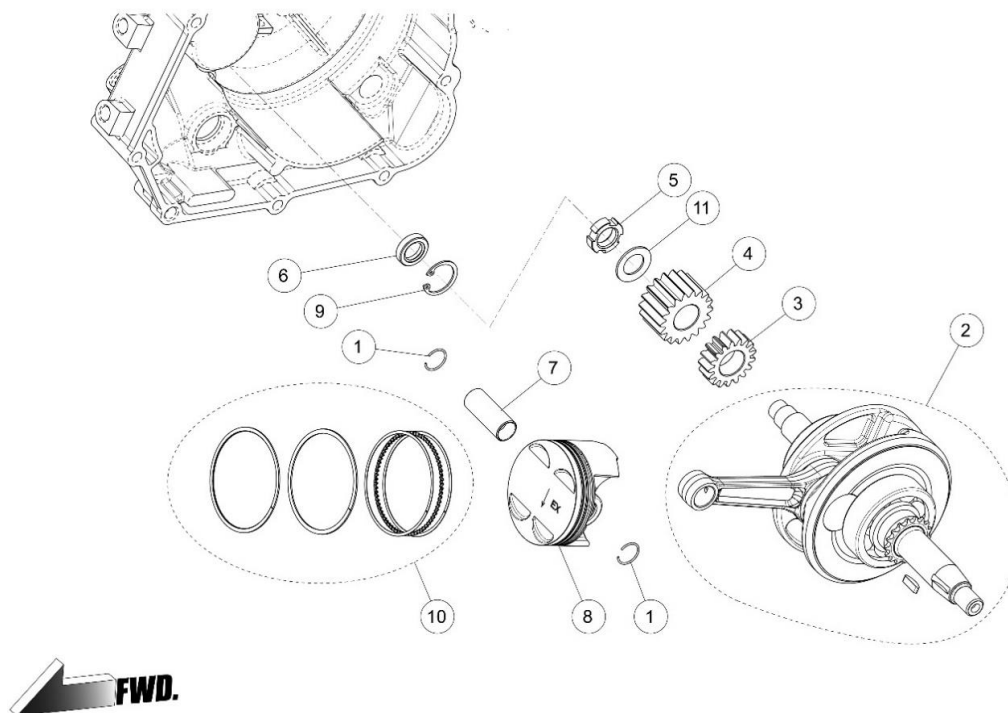
| Ref No. | Part No. | DESCRIPTION | QTY | REMARK |
|---------|----------|--|-----|-------------|
| 1 | 86448 | BOLT, HEXAGON FLANGE M10x16 | 1 | |
| 2 | 85877 | BOLT, HEXAGON FLANGE M6x12 | 1 | |
| 3 | 86468 | BOLT, HEXAGON FLANGE M6x18 | 6 | |
| 4 | 86466 | BOLT, HEXAGON FLANGE M6x25 | 1 | |
| 5 | 86471 | BOLT, HEXAGON FLANGE M6x30 | 1 | |
| 6 | 83703 | BOLT, STUD M6x32 | 2 | |
| 7 | 86367 | COVER, CYLINDER HEAD | 1 | |
| 8 | 86366 | CYLINDER | 1 | BORE 62mm |
| 9 | 86436 | GASKET, BASE CYLINDER | 1 | |
| 10 | 86440 | GASKET, HEAD CYLINDER | 1 | |
| 11 | 86476 | GASKET, M10 | 1 | |
| 12 | 86405 | GASKET, MANIFOLD | 1 | |
| 13 | 86439 | GASKET, TANSIONER CAM CHAIN | 1 | |
| 14 | 86368 | HEAD, CYLINDER | 1 | |
| 15 | 86404 | MANIFOLD, INTAKE | 1 | |
| 16 | 86479 | O-RING | 1 | |
| 17 | 86434 | O-RING, COVER HEAD | 1 | |
| 18 | 83720 | PIN, DOWEL $\Phi 10 \times \Phi 8.4 \times 14$ | 4 | |
| 19 | 83747 | PIN, DOWEL $\Phi 8 \times \Phi 6.3 \times 12$ | 1 | |
| 20 | 86429 | SPARK PLUG ER9EH-6N | 1 | STANDARD |
| 20 | 87008 | SPARK PLUG ER9EH | 1 | ALTERNATIVE |
| 21 | 86396 | TENSIONER, CAM CHAIN COMP | 1 | |
| 22 | 86456 | WASHER, $\Phi 6.3 \times \Phi 12 \times 1.5$ | 1 | |

02. VALVE MECHANISM



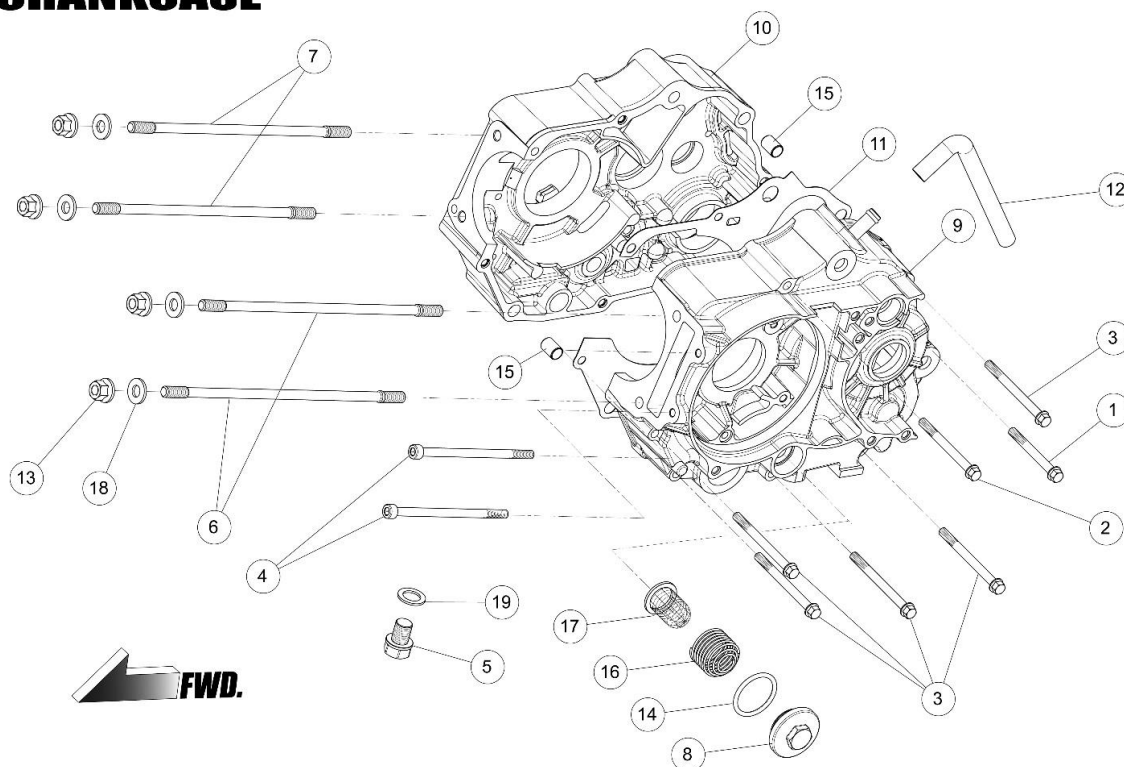
| Ref No. | Part No. | DESCRIPTION | QTY | REMARK |
|---------|----------|---------------------------------|-----|--------|
| 1 | 86481 | ARM, ROCKER ROLLER EXHAUST COMP | 1 | |
| 2 | 86393 | ARM, ROCKER ROLLER INTAKE COMP | 1 | |
| 3 | 86460 | BOLT, COUNTERSINK M6x15 | 1 | |
| 4 | 86883 | SCREW M6X16 | 2 | |
| 5 | 86447 | BOLT, TENSIONER | 1 | |
| 6 | 87163 | CAMSHAFT COMP. 150CC | 1 | |
| 7 | 86391 | CHAIN, CAMSHAFT DRIVE | 1 | 94L |
| 8 | 86402 | COTTER, VALVE | 8 | |
| 9 | 89681 | SHAFT W/WEIGHT, DECOMP. VER3 | 1 | |
| 10 | 86395 | GUIDE , CHAIN CAMSHAFT | 1 | |
| 11 | 86389 | PLATE, STOPPER CAM | 1 | |
| 12 | 86400 | RETAINER, SPRING VALVE | 4 | |
| 13 | 86403 | SEAL, VALVE STEM Φ 4.5 | 4 | |
| 14 | 86401 | SEAT, SPRING VALVE | 4 | |
| 15 | 86392 | SHAFT, ROCKER | 2 | |
| 16 | 87621 | SPRING, RETURN DECOMP. VER2 | 1 | |
| 17 | 87343 | SPRING, VALVE PLAN-G | 4 | |
| 18 | 86879 | SPROCKET, CAMSHAFT DRIVEN | 1 | 34T |
| 19 | 87620 | PLATE, STOPPER DECOMP. VER2 | 1 | |
| 20 | 86394 | TENSIONER, CAM CHAIN | 1 | |
| 21 | 86623 | VALVE, EXHAUST Φ 21 | 2 | |
| 22 | 86397 | VALVE, INTAKE Φ 24.5 | 2 | |

03. PISTON / CRANKSHAFT



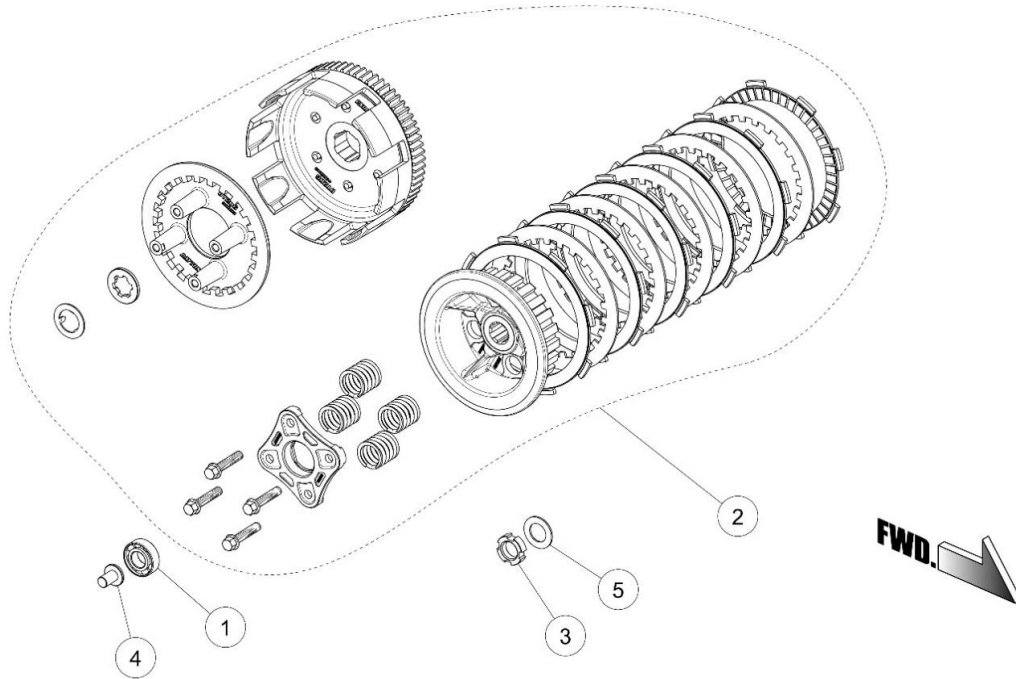
| Ref No. | Part No. | DESCRIPTION | QTY | REMARK |
|---------|----------|--|-----|---------------|
| 1 | 86453 | CLIP, PIN PISTON | 2 | |
| 2 | 86381 | CRANKSHAFT CONNECTING-ROD | 1 | STROKE 49.6mm |
| 3 | 86383 | GEAR, OIL PUMP DRIVE | 1 | |
| 4 | 86415 | GEAR, PRIMARY DRIVE | 1 | |
| 5 | 83768 | NUT, SMALL M14 | 1 | |
| 6 | 86443 | OIL SEAL, $\phi 12 \times \phi 20 \times 5t$ | 1 | |
| 7 | 86379 | PIN, PISTON $\phi 14$ | 1 | |
| 8 | 86378 | PISTON DT150 | 1 | 62mm |
| 9 | 86462 | RETAINING RING, RTWN22 | 1 | |
| 10 | 86380 | RING SET, PISTON 62MM | 1 | |
| 11 | 86411 | WASHER, SPRING | 1 | |

04. CRANKCASE



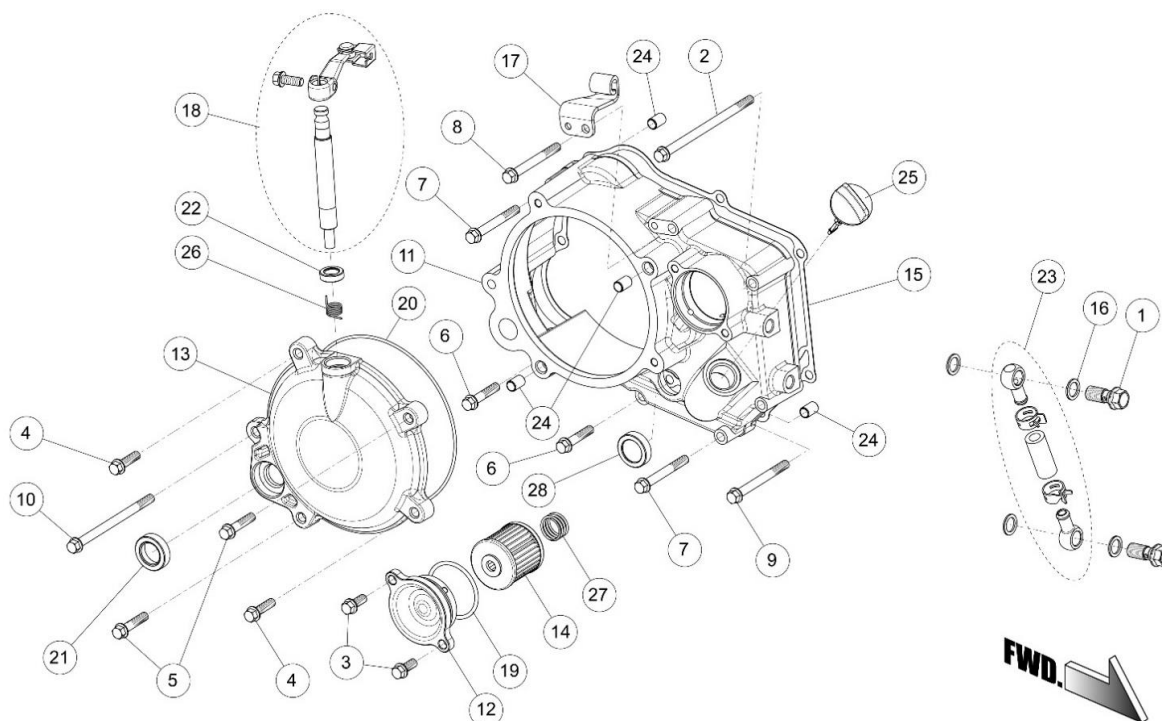
| Ref No. | Part No. | DESCRIPTION | QTY | REMARK |
|---------|----------|--|-----|--------|
| 1 | 86474 | BOLT, HEXAGON FLANGE M6x55 | 1 | |
| 2 | 83761 | BOLT, HEXAGON FLANGE M6x65 | 1 | |
| 3 | 86360 | BOLT, HEXAGON FLANGE M6x70 | 5 | |
| 4 | 86459 | BOLT, HEXAGON SOCKET M6x108 | 2 | |
| 5 | 83755 | BOLT, OIL DRAIN M12x15 | 1 | |
| 6 | 86444 | BOLT, STUD A | 2 | |
| 7 | 86445 | BOLT, STUD B | 2 | |
| 8 | 86369 | COVER, STRAINER OIL | 1 | |
| 9 | 86370 | CRANK CASE, LH | 1 | |
| 10 | 86884 | CRANK CASE, RH | 1 | |
| 11 | 86438 | GASKET, CRANKCASE | 1 | |
| 12 | 86371 | HOSE, BREATHER | 1 | |
| 13 | 86451 | NUT FLANGE, M8 | 4 | |
| 14 | 86433 | O-RING, $\Phi 30 \times \Phi 3$ | 1 | |
| 15 | 83720 | PIN, DOWEL $\Phi 10 \times \Phi 8.4 \times 14$ | 2 | |
| 16 | 86385 | SPRING, STRAINER | 1 | |
| 17 | 86387 | STRAINER, OIL | 1 | |
| 18 | 86457 | WASHER, GASKET M8 | 4 | |
| 19 | 83754 | WASHER, OIL DRAIN M12 | 1 | |

05. CLUTCH



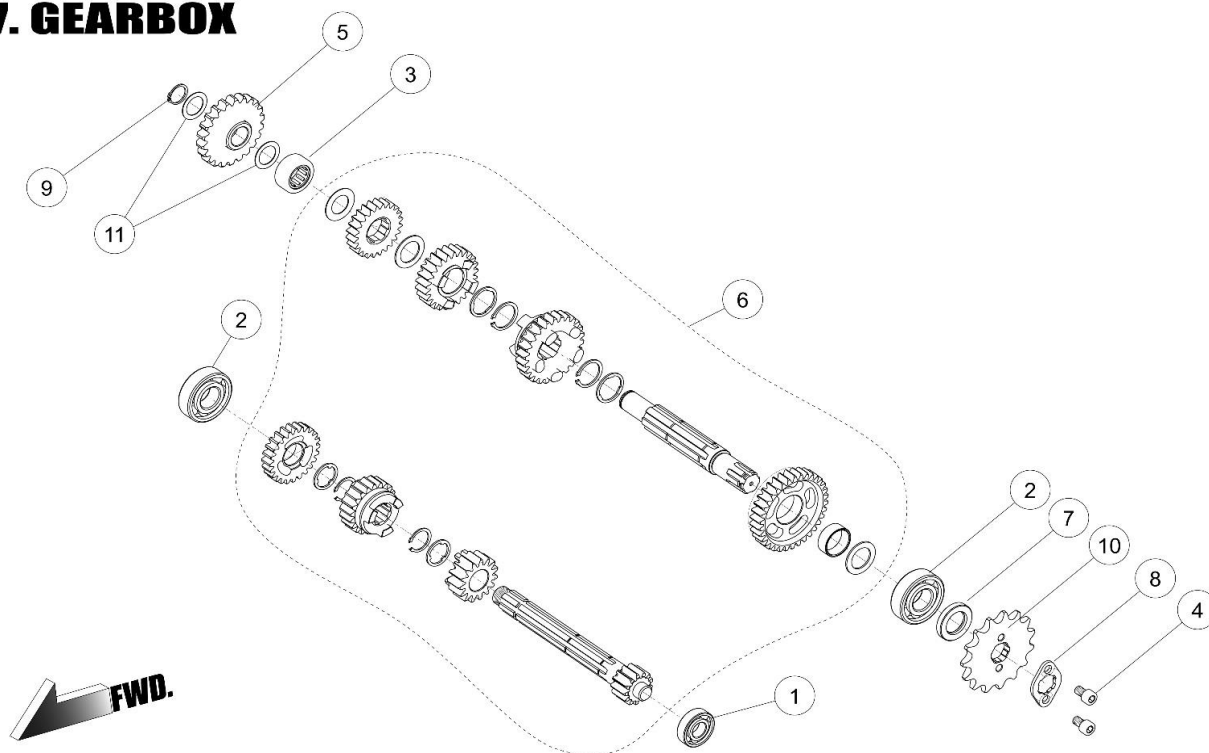
| Ref No. | Part No. | DESCRIPTION | QTY | REMARK |
|---------|----------|--|-----|--------|
| 1 | 83786 | BEARING, #6000 | 1 | |
| 2 | 87619 | CLUTCH COMP, W/FORGED GEAR | 1 | |
| 3 | 83768 | NUT, SMALL M14 | 1 | |
| 4 | 83787 | PIN, LIFTER CLUTCH | 1 | |
| 5 | 86410 | WASHER, SPRING $\Phi 24 \times \Phi 14.2 \times 1.2$ | 1 | |

06. COVER CLUTCH



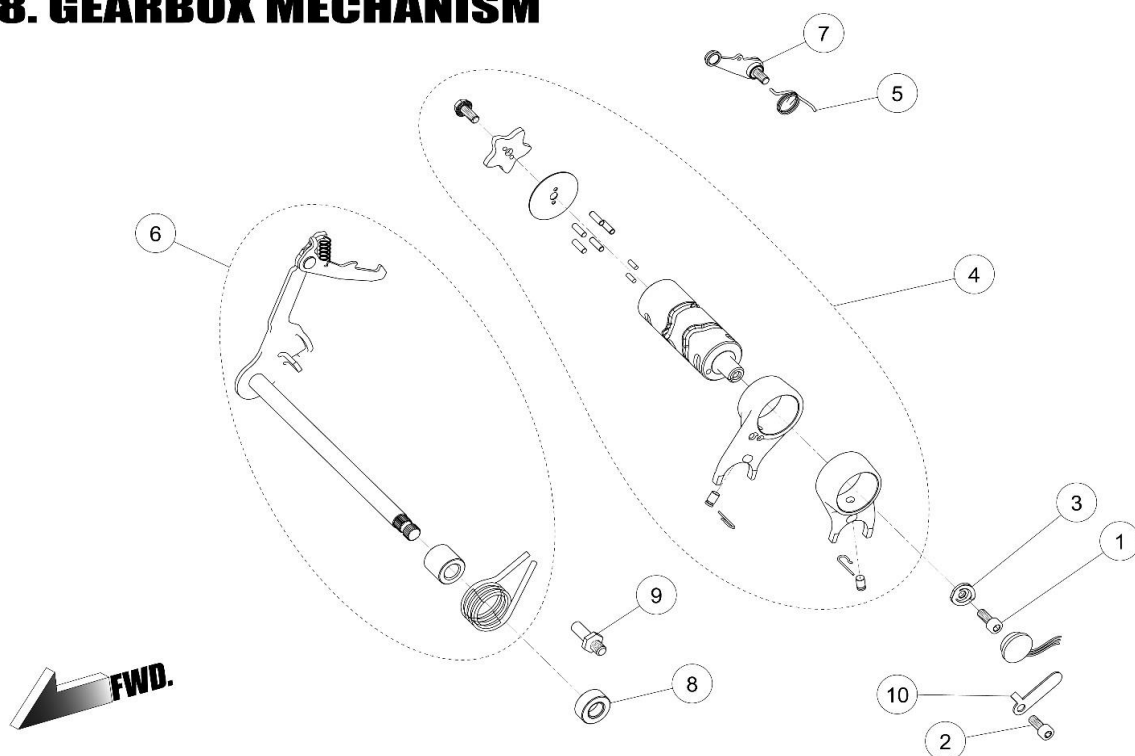
| Ref No. | Part No. | DESCRIPTION | QTY | REMARK |
|---------|----------|---|-----|--------|
| 1 | 86446 | BOLT, BANJO M10x22.5 | 2 | |
| 2 | 86362 | BOLT, HEXAGON FLANGE M6x105 | 1 | |
| 3 | 86486 | BOLT, HEXAGON FLANGE M6x15 | 2 | |
| 4 | 86469 | BOLT, HEXAGON FLANGE M6x22 | 2 | |
| 5 | 86485 | BOLT, HEXAGON FLANGE M6x28 | 2 | |
| 6 | 86471 | BOLT, HEXAGON FLANGE M6x30 | 2 | |
| 7 | 86473 | BOLT, HEXAGON FLANGE M6x50 | 2 | |
| 8 | 86474 | BOLT, HEXAGON FLANGE M6x55 | 1 | |
| 9 | 83759 | BOLT, HEXAGON FLANGE M6x60 | 1 | |
| 10 | 86361 | BOLT, HEXAGON FLANGE M6x90 | 1 | |
| 11 | 86376 | COVER, CLUTCH | 1 | |
| 12 | 86374 | COVER, OIL FILTER | 1 | |
| 13 | 86377 | COVER, SMALL CLUTCH | 1 | |
| 14 | 86384 | FILTER, OIL | 1 | |
| 14 | 83489 | FILTER, OIL | 1 | |
| 15 | 86437 | GASKET, COVER CLUTCH | 1 | |
| 16 | 86476 | GASKET, M10 | 4 | |
| 17 | 86412 | HOLDER, CABLE CLUTCH | 1 | |
| 18 | 86414 | LEVER, CLUTCH COMP | 1 | |
| 19 | 86432 | O-RING, $\Phi 38.6 \times 2.6$ | 1 | |
| 20 | 86435 | O-RING, COVER SMALL CLUTCH | 1 | |
| 21 | 86441 | OIL SEAL, $\Phi 16 \times \Phi 26 \times 7$ | 1 | |
| 22 | 86442 | OIL SEAL, $\Phi 17 \times \Phi 10 \times 5$ | 1 | |
| 23 | 86406 | OIL THROUGH COMP | 2 | |
| 24 | 83747 | PIN, DOWEL $\Phi 8 \times \Phi 6.3 \times 12$ | 4 | |
| 25 | 86386 | RULER | 1 | |
| 26 | 86413 | SPRING, LEVER CLUTCH | 1 | |
| 27 | 86375 | SPRING, OIL FILTER | 1 | |
| 28 | 86475 | WINDOW, OIL LEVEL | 1 | |

07. GEARBOX



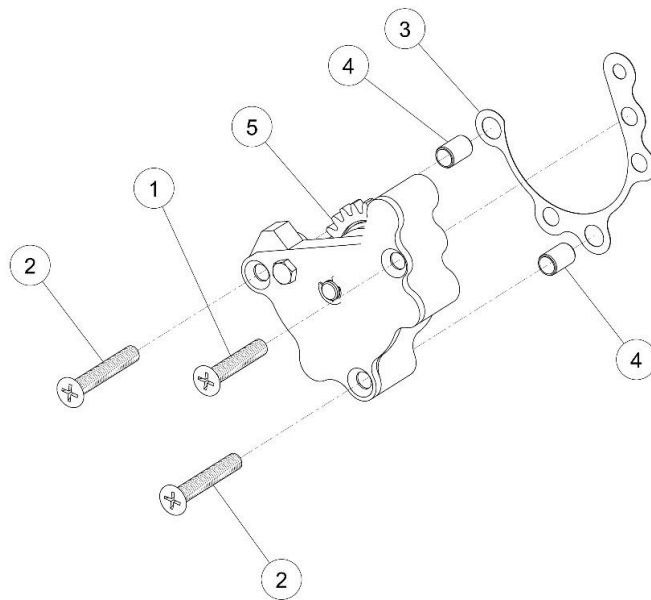
| Ref No. | Part No. | DESCRIPTION | QTY | REMARK |
|---------|----------|---|-----|--------|
| 1 | 83788 | BEARING #6001 | 1 | |
| 2 | 83795 | BEARING #6203 | 2 | |
| 3 | 86454 | BEARING NK152712 | 1 | |
| 4 | 86464 | BOLT, HEXAGON HEAD M6x10 | 2 | |
| 5 | 86418 | GEAR IDLE, STARTER | 1 | |
| 6 | 86919 | GEAR, COMP, | 1 | |
| 7 | 83796 | OIL SEAL, $\phi 29 \times \phi 17 \times 5$ | 1 | |
| 8 | 86420 | PLATE, FIXING SPROCKET DRIVE | 1 | |
| 9 | 86463 | RETAINING RING $\phi 13.6$ | 1 | |
| 10 | 86419 | SPROCKET, DRIVE 15T | 1 | |
| 11 | 86455 | WASHER, $\phi 22 \times \phi 15 \times 0.5$ | 2 | |

08. GEARBOX MECHANISM



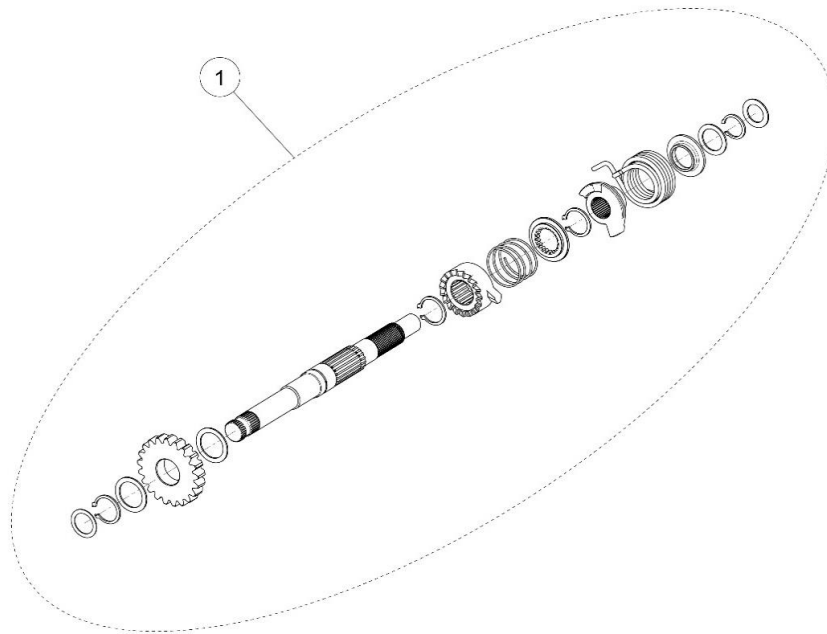
| Ref No. | Part No. | DESCRIPTION | QTY | REMARK |
|---------|----------|--|-----|--------|
| 1 | 86449 | BOLT, HEXAGON SOCKET M6 | 1 | |
| 2 | 85877 | SCREW, M6x12 | 1 | |
| 3 | 83833 | CONTACT, GEAR INDICATION | 1 | |
| 4 | 86421 | DRUM, SHIFT N-1-2-3-4 COMP | 1 | |
| 5 | 86423 | SPRING, LOCATING PLATE | 1 | |
| 6 | 86915 | LEVER, GEAR SHIFT COMP | 1 | |
| 7 | 86424 | LOCATING PLATE UNIT | 1 | |
| 8 | 83837 | OIL SEAL, $\phi 11.6 \times \phi 24 \times 10$ | 1 | |
| 9 | 86480 | PIN, LOCATING SHIFT LEVER | 1 | |
| 10 | 85876 | PLATE, LOCATING SWITCH NEUTRAL | 1 | |

09. OIL PUMP



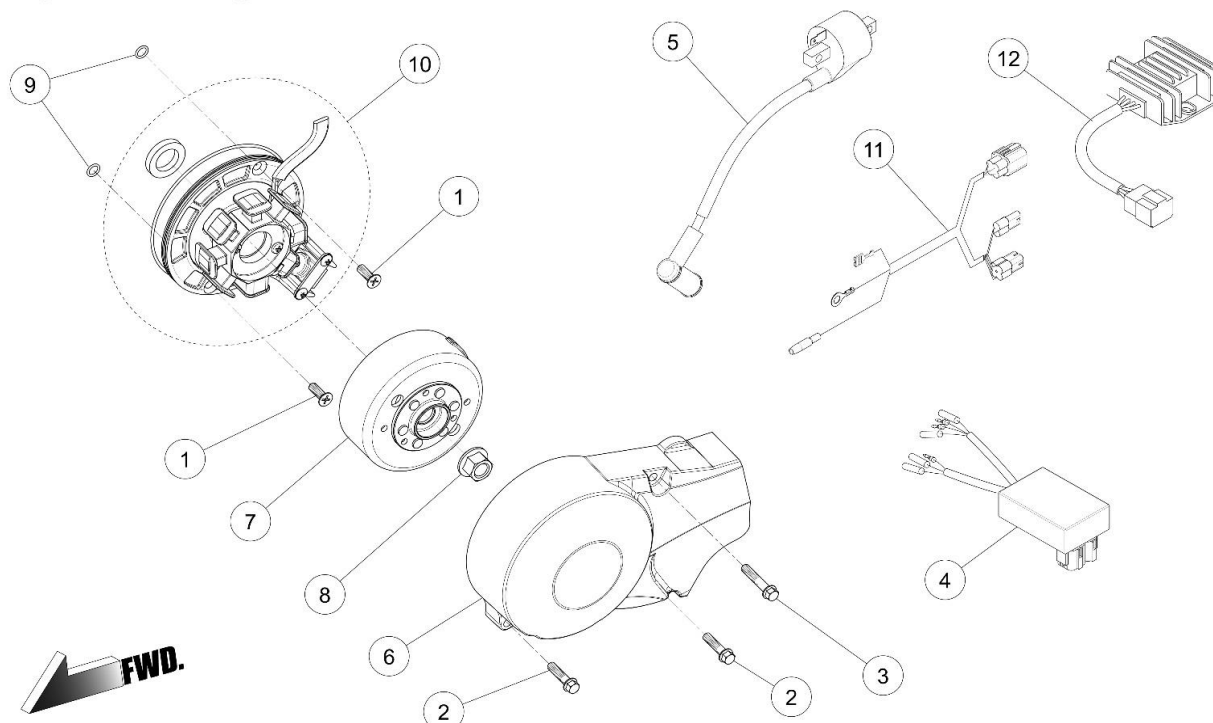
| Ref No. | Part No. | DESCRIPTION | QTY | REMARK |
|---------|----------|---|-----|--------|
| 1 | 84678 | BOLT, CROSS RECESSED COUNTERSUNK M6x30 | 1 | |
| 2 | 84677 | BOLT, CROSS RECESSED COUNTERSUNK M6x35 | 2 | |
| 3 | 84676 | GASKET, PUMP OIL | 1 | |
| 4 | 83747 | PIN, DOWEL $\Phi 8 \times \Phi 6.3 \times 12$ | 2 | |
| 5 | 86382 | PUMP, OIL ASSY | 1 | |

10. KICK STARTER



| Ref No. | Part No. | DESCRIPTION | QTY | REMARK |
|---------|----------|--------------------------|-----|--------|
| 1 | 86407 | KICK STARTING SHAFT ASSY | 1 | |

11. GENERATOR



| Ref No. | Part No. | DESCRIPTION | QTY | REMARK |
|---------|----------|--|-----|--------|
| 1 | 86461 | BOLT, CROSS RECESSED COUNTERSUNK M6x15 | 2 | |
| 2 | 86464 | BOLT, HEXAGON FLANGE M6x25 | 2 | |
| 3 | 86472 | BOLT, HEXAGON FLNAGE M6x32 | 1 | |
| 4 | 87349 | CDI, WITH SELECTABLE REV LIMITER | 1 | |
| 5 | 86426 | COIL, IGNITION | 1 | |
| 6 | 86373 | COVER, MAGNET | 1 | |
| 7 | 89678 | ROTOR ASSY, MAGNETO | 1 | |
| 8 | 86452 | NUT, MAGNET M12 | 1 | |
| 9 | 86479 | O-RING, $\Phi 6.5 \times \Phi 1.8$ | 2 | |
| 10 | 86430 | STATOR ASSY, WITH LIGHT SYSTEM | 1 | |
| 11 | 86428 | WIRE HERNESS | 1 | |
| 12 | 87189 | REGULATE RECTIFIER | 1 | |