

# Parts List : ANIMA 4V 190cc 5speed Kickstart



## Models

---

### **ANIMA 190GP5**

$\varnothing$ 66 x 55.5mm / 5speed / Small Rotor / Without Light Output

### **ANIMA 190FZ5**

$\varnothing$ 62 x 62mm / 5speed / Big Rotor / With Light Output

*\*\*\*190FZ5(A) = with Serial No. "3641XXXXXX" and earlier.*

*\*\*\*190FZ5(B) = with Serial No. "3642XXXXXX" and later.*

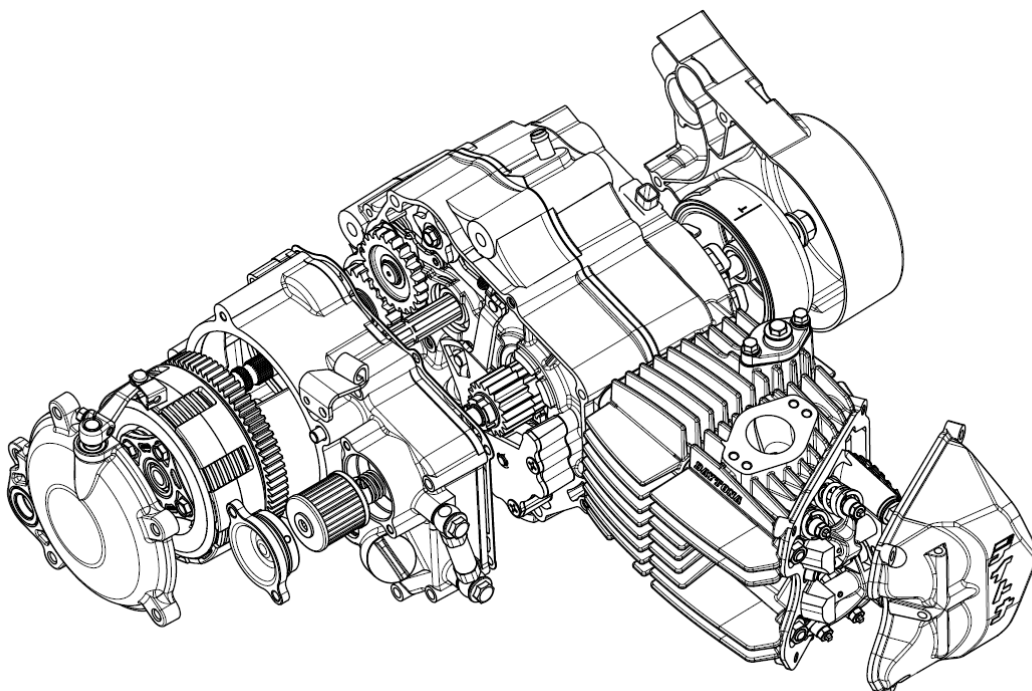
### **ANIMA 190SZ**

$\varnothing$ 66 x 55.5mm / 5speed / Big Rotor / With Light Output

### **ANIMA 190FS5**

$\varnothing$ 62 x 62mm / 5speed / Small Rotor / Without Light Output

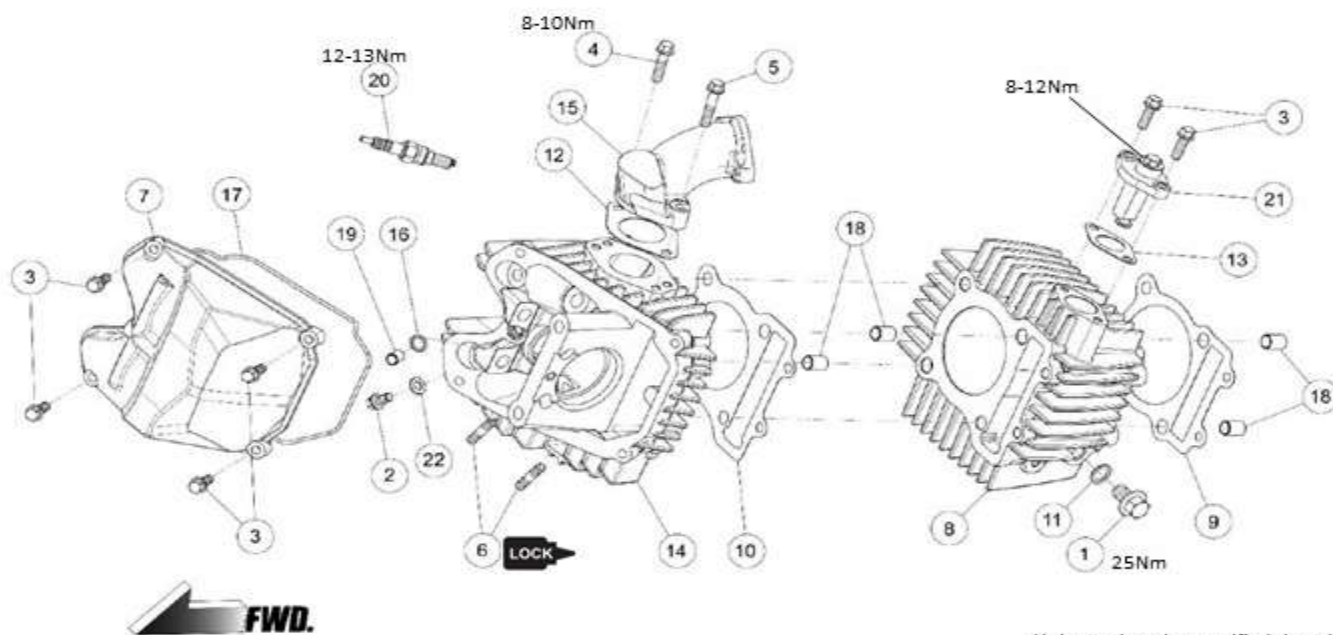
---



# Parts List : ANIMA 4V 190cc-5Speed

## 01 HEAD / CYLINDER

Ver.2026.Apr\_DAYTONA JAPAN



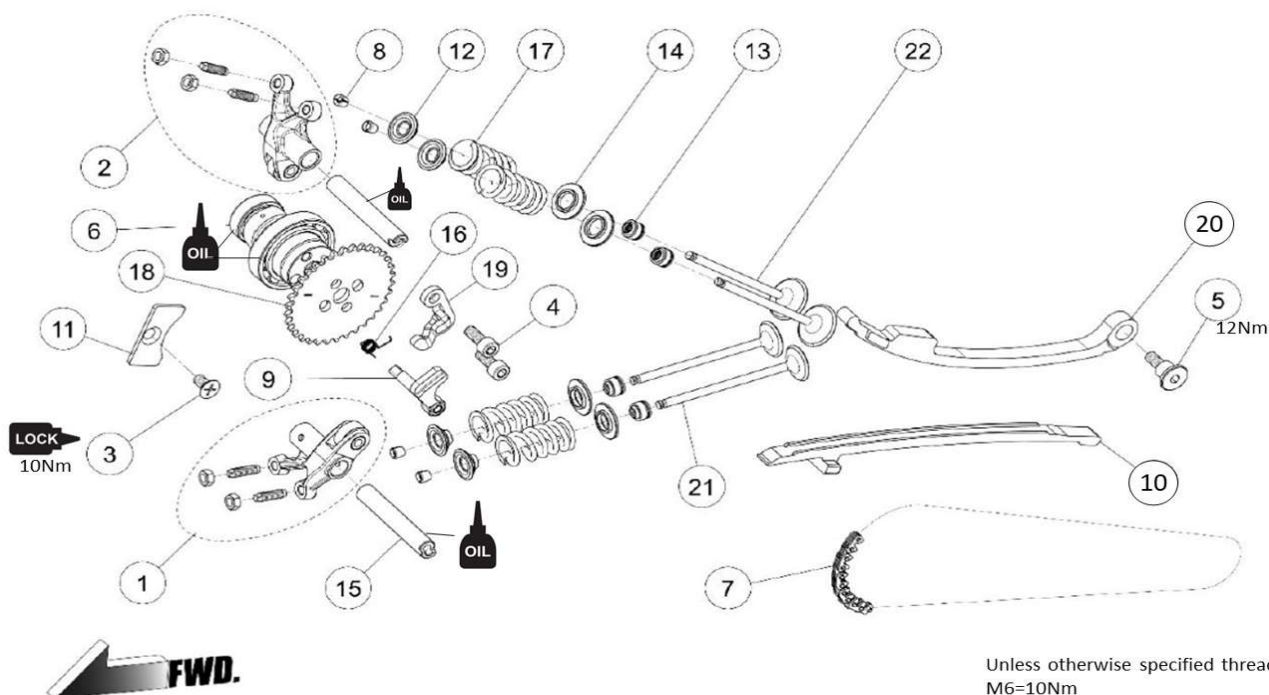
【 ✓ = Applicable \* = Optional 】

Ref#	PartNo.	DESCRIPTION	QTY	190 GP5	190 FZ5(A)	190 FZ5(B)	190 SZ	190 FS5
1	86448	BOLT, HEXAGON FLANGE M10x16	1	✓	✓	✓	✓	✓
2	85877	BOLT, HEXAGON FLANGE M6x12	1	✓	✓	✓	✓	✓
3	86468	BOLT, HEXAGON FLANGE M6x18	6	✓	✓	✓	✓	✓
4	86466	BOLT, HEXAGON FLANGE M6x25	1	✓	✓	✓	✓	✓
5	86471	BOLT, HEXAGON FLANGE M6x30	1	✓	✓	✓	✓	✓
6	83703	BOLT, STUD M6x32	2	✓	✓	✓	✓	✓
7	86367	COVER, CYLINDER HEAD, SILVER	1	✓	*	*	✓	✓
7	88250	COVER, CYLINDER HEAD, BLACK	1	*	✓	✓	*	*
7	87994	COVER, CYLINDER HEAD, WITH BREATHER, SILVER	1	*	*	*	*	*
8	86366	CYLINDER, 62MM, KICKSTART	1		✓	✓		✓
8	87975	CYLINDER, 66MM	1	✓			✓	
9	89458	GASKET, BASE CYLINDER	1	✓	✓	✓	✓	✓
10	86440	GASKET, HEAD CYLINDER	1	✓	✓	✓	✓	✓
11	86476	GASKET, M10	1	✓	✓	✓	✓	✓
12	86405	GASKET, MANIFOLD	1	✓	✓	✓	✓	✓
13	86439	GASKET, TANSIONER CAM CHAIN	1	✓	✓	✓	✓	✓
14	86368	HEAD, CYLINDER	1	✓	✓	✓	✓	✓
15	86404	MANIFOLD, INTAKE	1	✓	✓	✓	✓	✓
16	86479	O-RING	1	✓	✓	✓	✓	✓
17	86434	O-RING, COVER HEAD	1	✓	✓	✓	✓	✓
18	83720	PIN, DOWEL $\Phi 10 \times \Phi 8.4 \times 14$	4	✓	✓	✓	✓	✓
19	83747	PIN, DOWEL $\Phi 8 \times \Phi 6.3 \times 12$	1	✓	✓	✓	✓	✓
20	86429	SPARK PLUG ER9EH-6N	1	✓	✓	✓	✓	✓
20	87008	SPARK PLUG ER9EH ✕OPTION	1	*	*	*	*	*
21	86396	TENSIONER, CAM CHAIN COMP	1	✓	✓	✓	✓	✓
22	86456	WASHER, $\Phi 6.3 \times \Phi 12 \times 1.5$	1	✓	✓	✓	✓	✓

# Parts List : ANIMA 4V 190cc-5Speed

## 02 VALVE MECHANISM

Ver.2026.Apr\_DAYTONA JAPAN



Unless otherwise specified threads  
M6=10Nm  
M8=20Nm

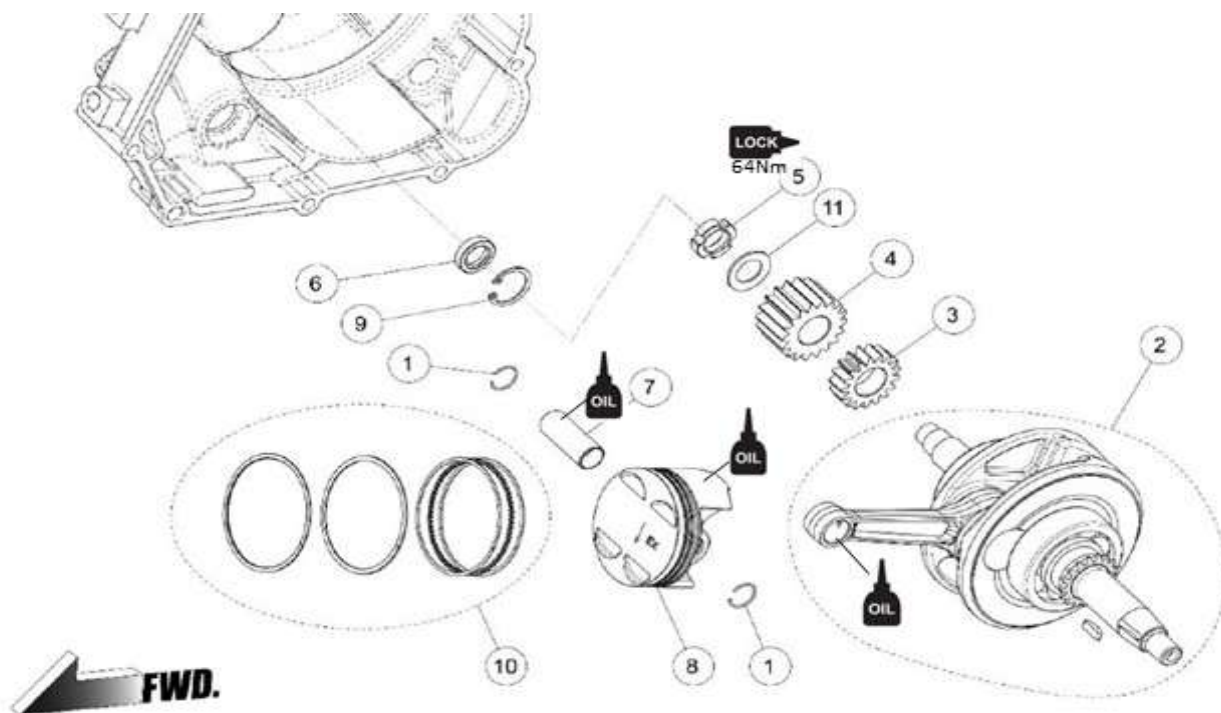
【 ✓ = Applicable \* = Optional 】

Ref#	PartNo.	DESCRIPTION	QTY	190 GP5	190 FZ5(A)	190 FZ5(B)	190 SZ	190 FS5
1	86481	ARM, ROCKER ROLLER EXHAUST COMP	1	✓	✓	✓	✓	✓
2	86393	ARM, ROCKER ROLLER INTAKE COMP	1	✓	✓	✓	✓	✓
3	86461	BOLT, CROSS RECESSED M6x16	1	✓	✓	✓	✓	✓
4	86883	SCREW M6X16	2	✓	✓	✓	✓	✓
5	86447	BOLT, TENSIONER	1	✓	✓	✓	✓	✓
6	86878	CAMSHAFT COMP, 190CC RACING 240°	1	✓	*	✓	✓	✓
6	87347	CAMSHAFT COMP, ECO-CAM (00)	1	*	✓	*	*	*
7	86391	CHAIN, CAMSHAFT DRIVE 94L	1	✓	✓	✓	✓	✓
8	86402	COTTER, VALVE	8	✓	✓	✓	✓	✓
9	89681	SHAFT W/WEIGHT,DECOMP	1	✓	✓	✓	✓	✓
10	86395	GUIDE , CHAIN CAMSHAFT	1	✓	✓	✓	✓	✓
11	86389	PLATE, STOPPER CAM	1	✓	✓	✓	✓	✓
12	86400	RETAINER, SPRING VALVE	4	✓	✓	✓	✓	✓
13	86403	SEAL, VALVE STEM Φ4.5	4	✓	✓	✓	✓	✓
14	86401	SEAT, SPRING VALVE	4	✓	✓	✓	✓	✓
15	86392	SHAFT, ROCKER	2	✓	✓	✓	✓	✓
16	87621	SPRING,RETURN DECOMP	1	✓	✓	✓	✓	✓
17	86624	SPRING,VALVE (GREEN MARKED)	4	✓	✓	✓	✓	✓
18	86879	SPROCKET, CAMSHAFT DRIVEN	1	✓	✓	✓	✓	✓
19	87620	PLATE,STOPPER DECOMP	1	✓	✓	✓	✓	✓
20	86394	TENSIONER, CAM CHAIN	1	✓	✓	✓	✓	✓
21	86623	VALVE, EXHAUST Φ21	2	✓	✓	✓	✓	✓
22	86397	VALVE, INTAKE Φ24.5	2	✓	✓	✓	✓	✓

# Parts List : ANIMA 4V 190cc-5Speed

## 03 PISTON / CRANKSHAFT

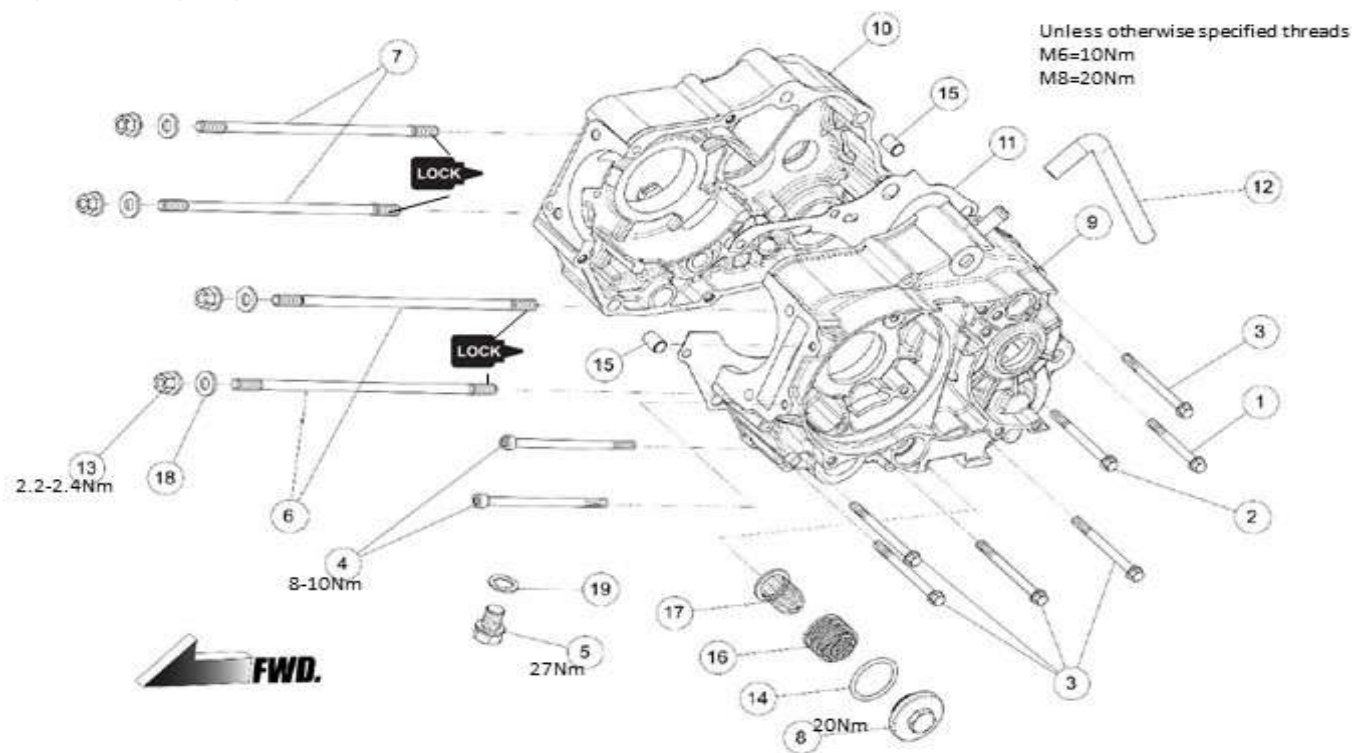
Ver.2026.Apr\_DAYTONA JAPAN



【 ✓ = Applicable \* = Optional 】

Ref#	PartNo.	DESCRIPTION	QTY	190 GP5	190 FZ5(A)	190 FZ5(B)	190 SZ	190 FS5
1	86453	CLIP, PIN PISTON	2	✓	✓	✓	✓	✓
2	89144	CRANKSHAFT ASSY, 62MM, 5SPEED	1		✓	✓		✓
2	80315	CRANKSHAFT ASSY, 55.5MM, 5SPEED	1	✓			✓	
3	86383	GEAR, OIL PUMP DRIVE	1	✓	✓	✓	✓	✓
4	86415	GEAR, PRIMARY DRIVE	1	✓	✓	✓	✓	✓
5	83768	NUT, SMALL M14	1	✓	✓	✓	✓	✓
6	86443	OIL SEAL, Φ12xΦ20x5t	1	✓	✓	✓	✓	✓
7	86379	PIN, PISTON L=36.5, FOR PISTON 62MM	1		✓	✓		✓
7	87978	PIN, PISTON L=39.0, FOR PISTON 66MM	1	✓			✓	
8	86621	PISTON, 62MM	1		✓	✓		✓
8	80316	PISTON, 66MM	1	✓			✓	
9	86462	RETAINING RING	1	✓	✓	✓	✓	✓
10	86380	RING SET, FOR PISTON 62MM	1		✓	✓		✓
10	87977	RING SET, FOR PISTON 66MM	1	✓			✓	
11	86411	WASHER, SPRING	1	✓	✓	✓	✓	✓

# 04 CRANKCASE

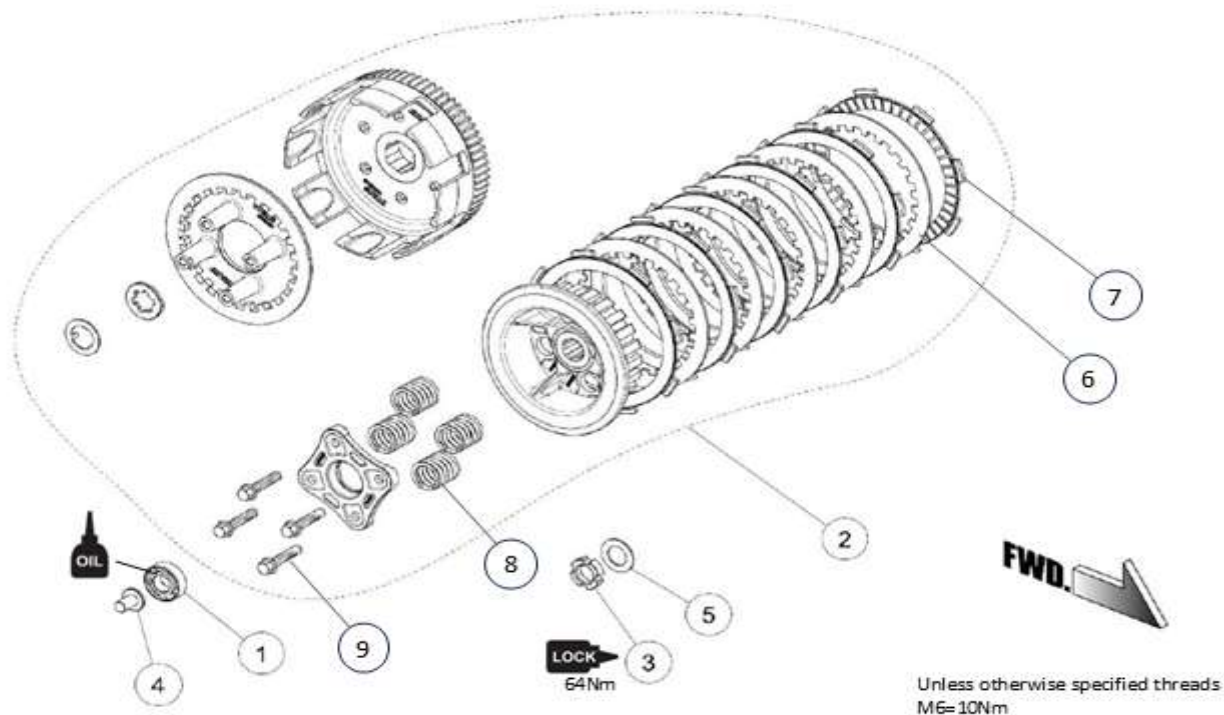


【 ✓ = Applicable \* = Optional 】

Ref#	PartNo.	DESCRIPTION	QTY	190 GP5	190 FZ5(A)	190 FZ5(B)	190 SZ	190 FS5
1	86474	BOLT, HEXAGON FLANGE M6x55	1	✓	✓	✓	✓	✓
2	83761	BOLT, HEXAGON FLANGE M6x65	1	✓	✓	✓	✓	✓
3	86360	BOLT, HEXAGON FLANGE M6x70	5	✓	✓	✓	✓	✓
4	86459	BOLT, HEXAGON SOCKET M6x108	2	✓	✓	✓	✓	✓
5	83755	BOLT, OIL DRAIN M12x15	1	✓	✓	✓	✓	✓
5	81008	BOLT, OIL DRAIN M12x15 WITH MAGNET	1	✓	✓	✓	✓	✓
6	86444	BOLT, STUD A	2	✓	✓	✓	✓	✓
7	86445	BOLT, STUD B	2	✓	✓	✓	✓	✓
8	86369	COVER, STRAINER OIL	1	✓	✓	✓	✓	✓
9	86370	CRANKCASE(LH), KICKSTART, 5&4 SPEED	1	✓	✓	✓	✓	✓
10	88848	CRANKCASE(RH), 5SPEED, KICK&E-START	1	✓	✓	✓	✓	✓
11	86438	GASKET, CRANKCASE	1	✓	✓	✓	✓	✓
12	86371	HOSE, BREATHER	1	✓	✓	✓	✓	✓
13	86451	NUT FLANGE, M8	4	✓	✓	✓	✓	✓
14	86433	O-RING, Φ30xΦ3	1	✓	✓	✓	✓	✓
15	83720	PIN, DOWEL Φ10xΦ8.4x14	2	✓	✓	✓	✓	✓
16	86385	SPRING, STRAINER	1	✓	✓	✓	✓	✓
17	86387	STRAINER, OIL	1	✓	✓	✓	✓	✓
18	86457	WASHER, GASKET M8	4	✓	✓	✓	✓	✓
19	83754	WASHER, OIL DRAIN M12	1	✓	✓	✓	✓	✓

# Parts List : ANIMA 4V 190cc-5Speed 05 CLUTCH

Ver.2026.Apr\_DAYTONA JAPAN



【 ✓ = Applicable \* = Optional 】

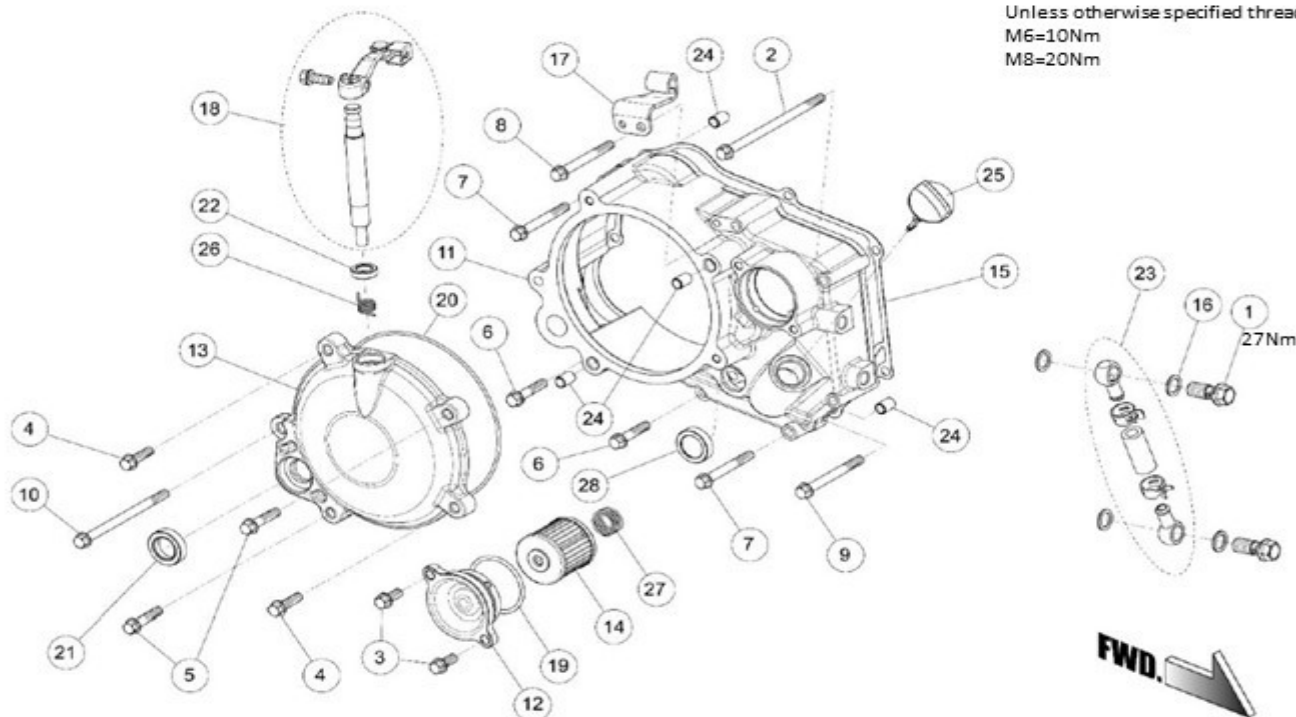
Ref#	PartNo.	DESCRIPTION	QTY	190 GP5	190 FZ5(A)	190 FZ5(B)	190 SZ	190 FS5
1	83786	BEARING, #6000	1	✓	✓	✓	✓	✓
2	87619	CLUTCH COMP, W/FORGED GEAR	1	✓	✓	✓	✓	✓
3	83768	NUT, SMALL M14	1	✓	✓	✓	✓	✓
4	83787	PIN, LIFTER CLUTCH	1	✓	✓	✓	✓	✓
5	86410	WASHER, SPRING $\Phi 24 \times \Phi 14.2 \times 1.2$	1	✓	✓	✓	✓	✓
6	81356	CLUTCH FRICTION DISK ,1PCS	6	✓	✓	✓	✓	✓
7	81357	CLUTCH STEEL PLATE ,1PCS	5	✓	✓	✓	✓	✓
8	81586	SPRING , CLUTCH 1PCS	4	✓	✓	✓	✓	✓
9	81478	BOLT, PLESSURE PLATE 1PCS	4	✓	✓	✓	✓	✓

# Parts List : ANIMA 4V 190cc-5Speed

## 06 COVER CLUTCH

Ver.2026.Apr\_DAYTONA JAPAN

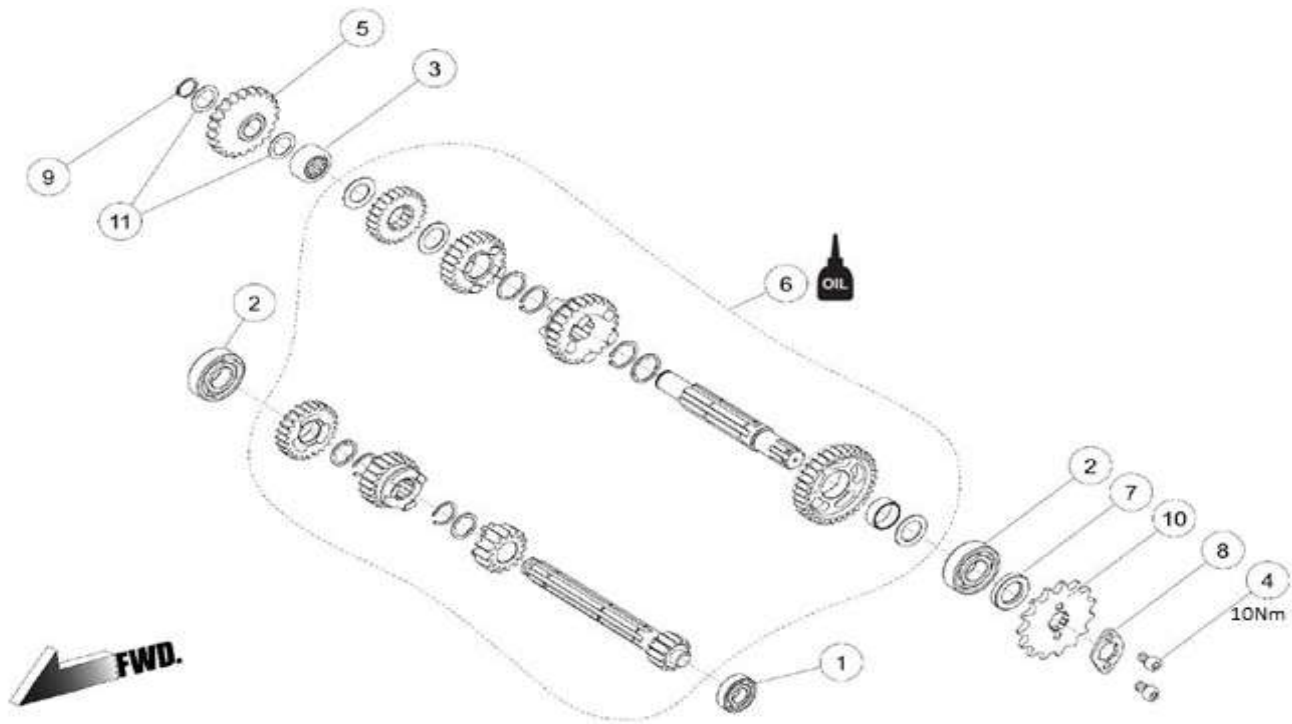
Unless otherwise specified threads  
M6=10Nm  
M8=20Nm



【 ✓ = Applicable \* = Optional 】

Ref#	PartNo.	DESCRIPTION	QTY	190 GP5	190 FZ5(A)	190 FZ5(B)	190 SZ	190 FS5
1	86446	BOLT, BANJO M10x22.5	2	✓	✓	✓	✓	✓
2	88862	BOLT, HEXAGON FLANGE M6x115	1	✓	✓	✓	✓	✓
3	88873	BOLT, HEXAGON FLANGE M6x16	2	✓	✓	✓	✓	✓
4	86469	BOLT, HEXAGON FLANGE M6x22	2	✓	✓	✓	✓	✓
5	88881	BOLT, HEXAGON FLANGE M6x28	2	✓	✓	✓	✓	✓
6	86471	BOLT, HEXAGON FLANGE M6x30	2	✓	✓	✓	✓	✓
7	86473	BOLT, HEXAGON FLANGE M6x50	2	✓	✓	✓	✓	✓
8	86474	BOLT, HEXAGON FLANGE M6x55	1	✓	✓	✓	✓	✓
9	83759	BOLT, HEXAGON FLANGE M6x60	1	✓	✓	✓	✓	✓
10	86361	BOLT, HEXAGON FLANGE M6x90	1	✓	✓	✓	✓	✓
11	86376	COVER, CLUTCH, KICKSTART	1	✓	✓	✓	✓	✓
12	86374	COVER, OIL FILTER	1	✓	✓	✓	✓	✓
13	86377	COVER, SMALL CLUTCH	1	✓	✓	✓	✓	✓
14	86384	FILTER, OIL	1	✓	✓	✓	✓	✓
15	86437	GASKET, COVER CLUTCH	1	✓	✓	✓	✓	✓
16	86476	GASKET, M10	4	✓	✓	✓	✓	✓
17	86412	HOLDER, CABLE CLUTCH	1	✓	✓	✓	✓	✓
18	86414	LEVER, CLUTCH COMP	1	✓	✓	✓	✓	✓
19	86432	O-RING, Φ38.6x2.6	1	✓	✓	✓	✓	✓
20	86435	O-RING, COVER SMALL CLUTCH	1	✓	✓	✓	✓	✓
21	86441	OIL SEAL, Φ16xΦ26x7	1	✓	✓	✓	✓	✓
22	86442	OIL SEAL, Φ17xΦ10x5	1	✓	✓	✓	✓	✓
23	86406	OIL THROUGH COMP	2	✓	✓	✓	✓	✓
24	83747	PIN, DOWEL Φ8xΦ6.3x12	4	✓	✓	✓	✓	✓
25	86386	RULER	1	✓	✓	✓	✓	✓
26	86413	SPRING, LEVER CLUTCH	1	✓	✓	✓	✓	✓
27	86375	SPRING, OIL FILTER	1	✓	✓	✓	✓	✓
28	86475	WINDOW, OIL LEVEL	1	✓	✓	✓	✓	✓

# 07 GEARBOX

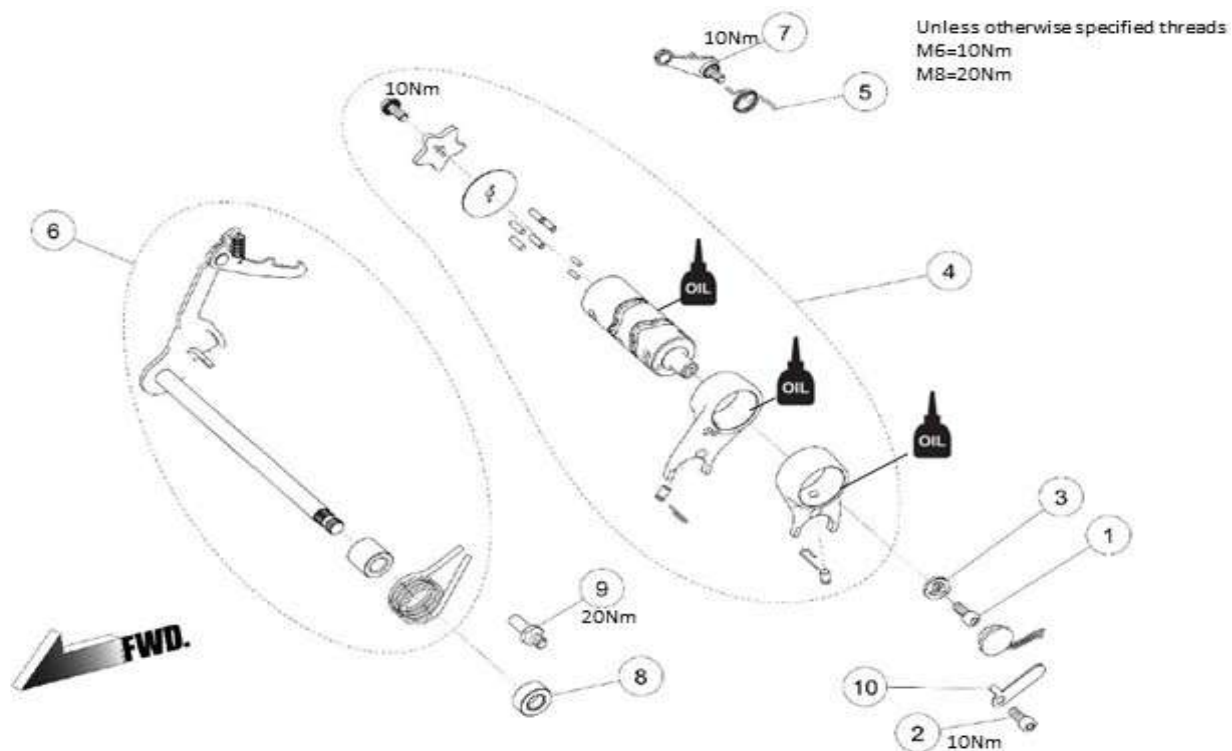


【 ✓ = Applicable \* = Optional 】

Ref#	PartNo.	DESCRIPTION	QTY	190 GP5	190 FZ5(A)	190 FZ5(B)	190 SZ	190 FS5
1	83788	BEARING #6001	1	✓	✓	✓	✓	✓
2	83795	BEARING #6203	2	✓	✓	✓	✓	✓
3	80240	BEARING NK162712	1	✓	✓	✓	✓	✓
4	86464	BOLT, HEXAGON SOCKET M6x10	2	✓	✓	✓	✓	✓
5	80241	GEAR IDLE, STARTER, 5SPEED	1	✓	✓	✓	✓	✓
6	80239	GEAR, COMP, 5SPEED, 1-N2345 (WIDE RATIO)	1		✓	✓	✓	✓
6	81513	GEAR, COMP, 5SPEED, 1-N2345 (CLOSE RATIO)	1	✓				
7	83796	OIL SEAL, Φ29xΦ17x5	1	✓	✓	✓	✓	✓
8	86420	PLATE, FIXING SPROCKET DRIVE	1	✓	✓	✓	✓	✓
9	80243	RETAINING RING Φ16	1	✓	✓	✓	✓	✓
10	81835	SPROCKET, DRIVE 420-15T	1	✓	✓	✓	✓	✓
10	81836	SPROCKET, DRIVE 420-16T	1	*	*	*	*	*
10	86419	SPROCKET, DRIVE 428-15T	1	*	*	*	*	*
10	81256	SPROCKET, DRIVE 428-16T	1	*	*	*	*	*
11	80242	WASHER, Φ23xΦ16.1x0.5	2	✓	✓	✓	✓	✓

# Parts List : ANIMA 4V 190cc-5Speed 08 GEARBOX MECHANISM

Ver.2026.Apr\_DAYTONA JAPAN



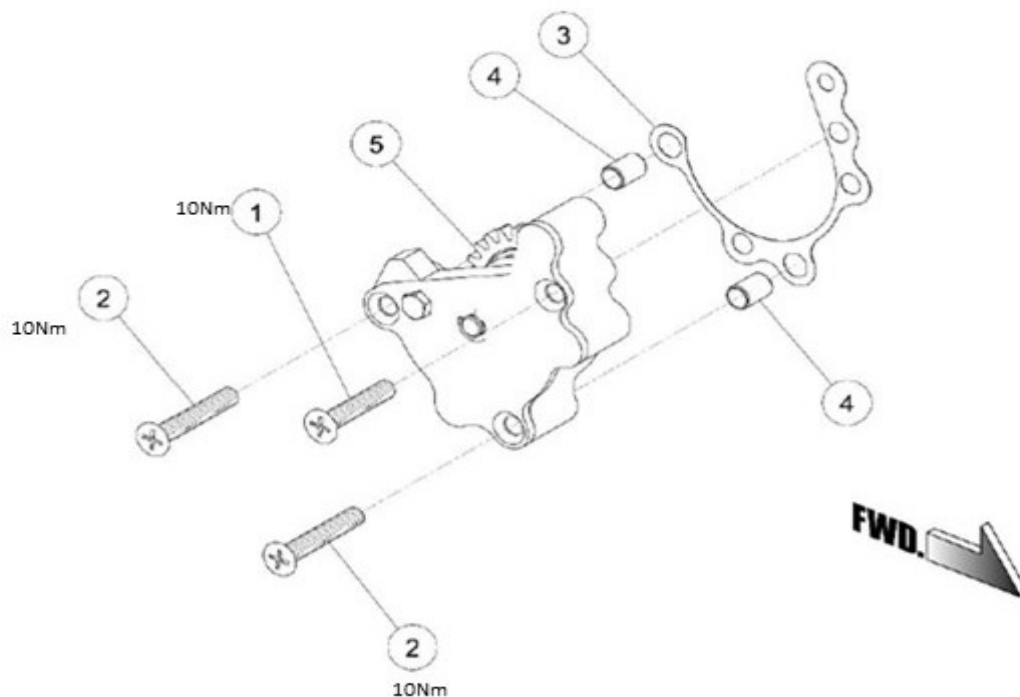
【 ✓ = Applicable \* = Optional 】

Ref#	PartNo.	DESCRIPTION	QTY	190 GP5	190 FZ5(A)	190 FZ5(B)	190 SZ	190 FS5
1	86449	BOLT, HEXAGON SOCKET M6	1	✓	✓	✓	✓	✓
2	85877	BOLT, HEXAGON SOCKET M6x15	1	✓	✓	✓	✓	✓
3	83833	CONTACT, GEAR INDICATION	1	✓	✓	✓	✓	✓
4	89744	DRUM, SHIFT COMP, 5SPEED, 1-N2345	1	✓	✓	✓	✓	✓
5	88424	SPRING, LOCATING PLATE, 5SPEED	1	✓	✓	✓	✓	✓
6	88886	LEVER, GEAR SHIFT COMP, 5SPEED	1	✓	✓	✓	✓	✓
7	86424	LOCATING PLATE UNIT	1	✓	✓	✓	✓	✓
8	83837	OIL SEAL, $\Phi 11.6 \times \Phi 24 \times 10$	1	✓	✓	✓	✓	✓
9	86480	PIN, LOCATING SHIFT LEVER	1	✓	✓	✓	✓	✓
10	85876	PLATE, LOCATING SWITCH NEUTRAL	1	✓	✓	✓	✓	✓

# Parts List : ANIMA 4V 190cc-5Speed

## 09 OIL PUMP

Ver.2026.Apr\_DAYTONA JAPAN

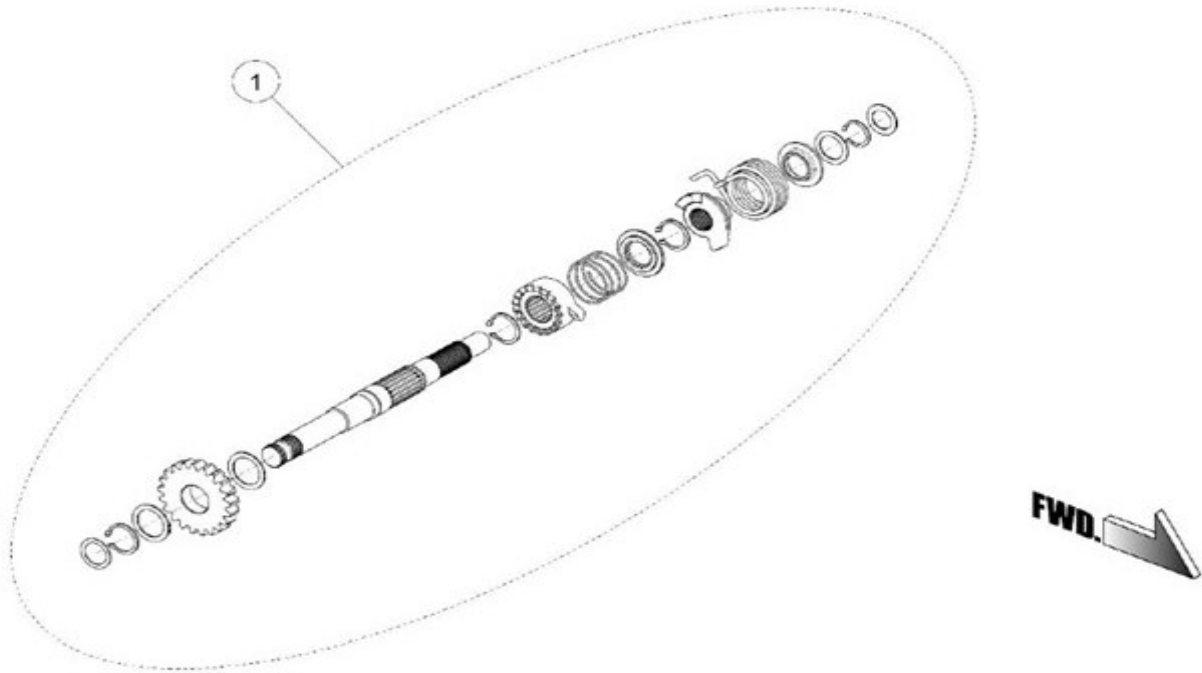


【 ✓ = Applicable \* = Optional 】

Ref#	PartNo.	DESCRIPTION	QTY	190 GP5	190 FZ5(A)	190 FZ5(B)	190 SZ	190 FS5
1	84678	BOLT, CROSS RECESSED M6x35	1	✓	✓	✓	✓	✓
2	84677	BOLT, CROSS RECESSED M6x40	2	✓	✓	✓	✓	✓
3	84676	GASKET, PUMP OIL	1	✓	✓	✓	✓	✓
4	83747	PIN, DOWEL Φ8xΦ6.3x12	2	✓	✓	✓	✓	✓
5	86382	PUMP, OIL ASSY	1	✓	✓	✓	✓	✓

# Parts List : ANIMA 4V 190cc-5Speed 10 KICK STARTER

Ver.2026.Apr\_DAYTONA JAPAN



【 ✓ = Applicable \* = Optional 】

Ref#	PartNo.	DESCRIPTION	QTY	190 GP5	190 FZ5(A)	190 FZ5(B)	190 SZ	190 FS5
1	88883	KICK STARTING SHAFT ASSY, 5SPEED	1	✓	✓	✓	✓	✓

