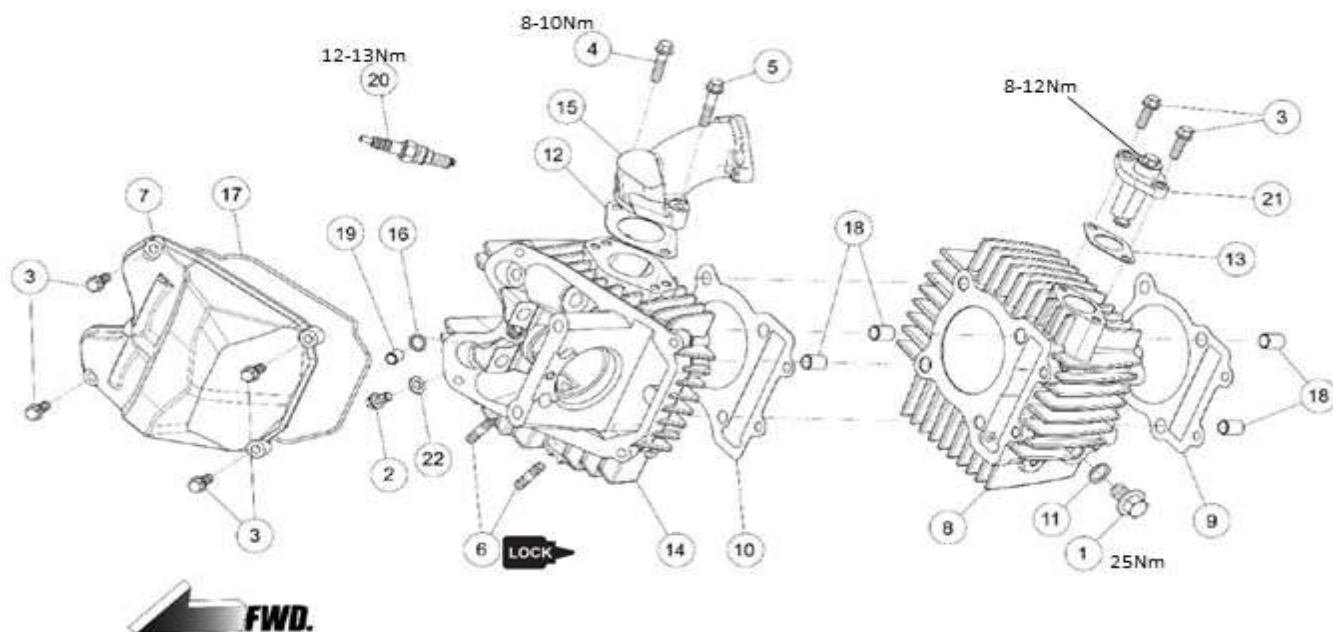


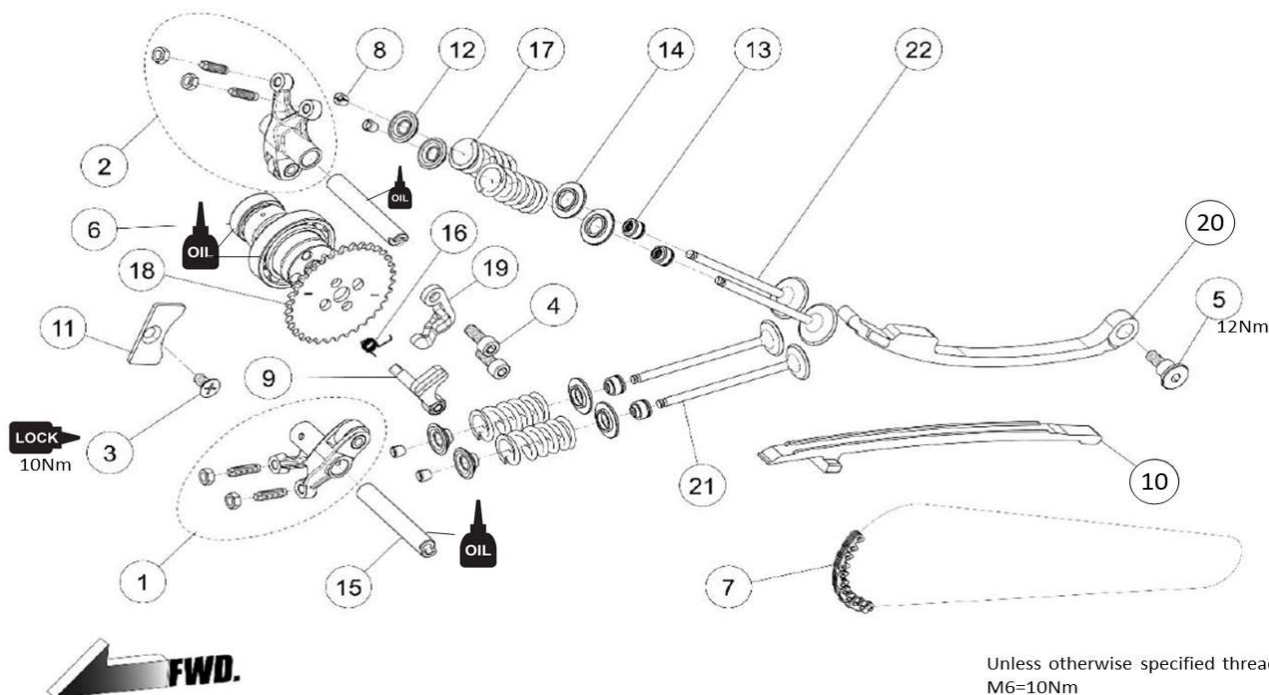
01 HEAD / CYLINDER



Unless otherwise specified threads
 M6=10Nm
 M8=20Nm

Ref#	PartNo.	DESCRIPTION	QTY	190 FSM	190 FDX	190 SYS	190 SYH
1	86448	BOLT, HEXAGON FLANGE M10x16	1	●	●	●	●
2	85877	BOLT, HEXAGON FLANGE M6x12	1	●	●	●	●
3	86468	BOLT, HEXAGON FLANGE M6x18	6	●	●	●	●
4	86466	BOLT, HEXAGON FLANGE M6x25	1	●	●	●	●
5	86471	BOLT, HEXAGON FLANGE M6x30	1	●	●	●	●
6	83703	BOLT, STUD M6x32	2	●	●	●	●
7	86367	COVER, CYLINDER HEAD,SILVER	1	●	●	●	●
8	87975	CYLINDER,66MM	1			●	●
8	86366	CYLINDER,62MM	1	●	●		
9	89458	GASKET, BASE CYLINDER	1	●	●	●	●
10	86440	GASKET, HEAD CYLINDER, ANIMA4V	1	●	●	●	●
11	86476	GASKET, M10	1	●	●	●	●
12	86405	GASKET, MANIFOLD	1	●	●	●	●
13	86439	GASKET, TANSIONER CAM CHAIN	1	●	●	●	●
14	86368	HEAD, CYLINDER	1	●	●	●	●
15	86404	MANIFOLD, INTAKE	1	●	●	●	●
16	86479	O-RING	1	●	●	●	●
17	86434	O-RING, COVER HEAD	1	●	●	●	●
18	83720	PIN, DOWEL Φ10xΦ8.4x14	4	●	●	●	●
19	83747	PIN, DOWEL Φ8xΦ6.3x12	1	●	●	●	●
20	86429	SPARK PLUG ER9EH-6N	1	●	●	●	●
20	87008	SPARK PLUG ER9EH ※OPTION	1	OPTION	OPTION	OPTION	OPTION
21	86396	TENSIONER, CAM CHAIN COMP	1	●	●	●	●
22	86456	WASHER, Φ6.3xΦ12x1.5	1	●	●	●	●

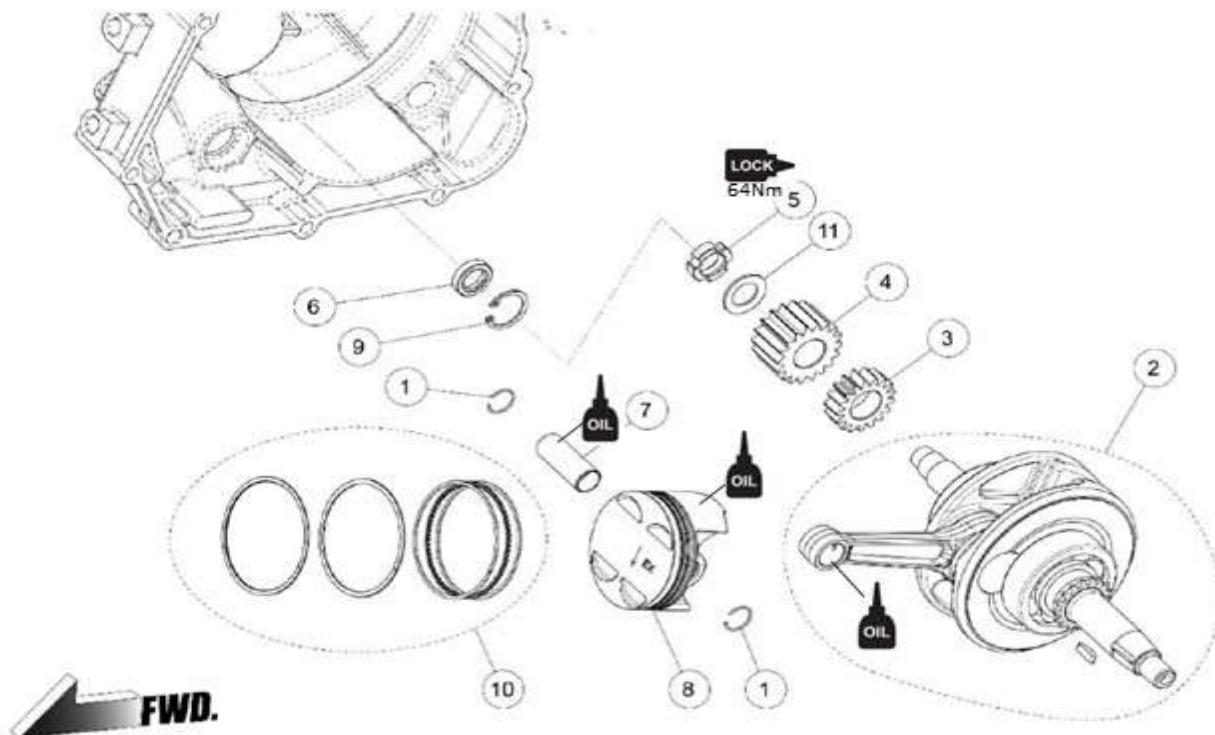
O2 VALVE MECHANISM



Unless otherwise specified threads
 M6=10Nm
 M8=20Nm

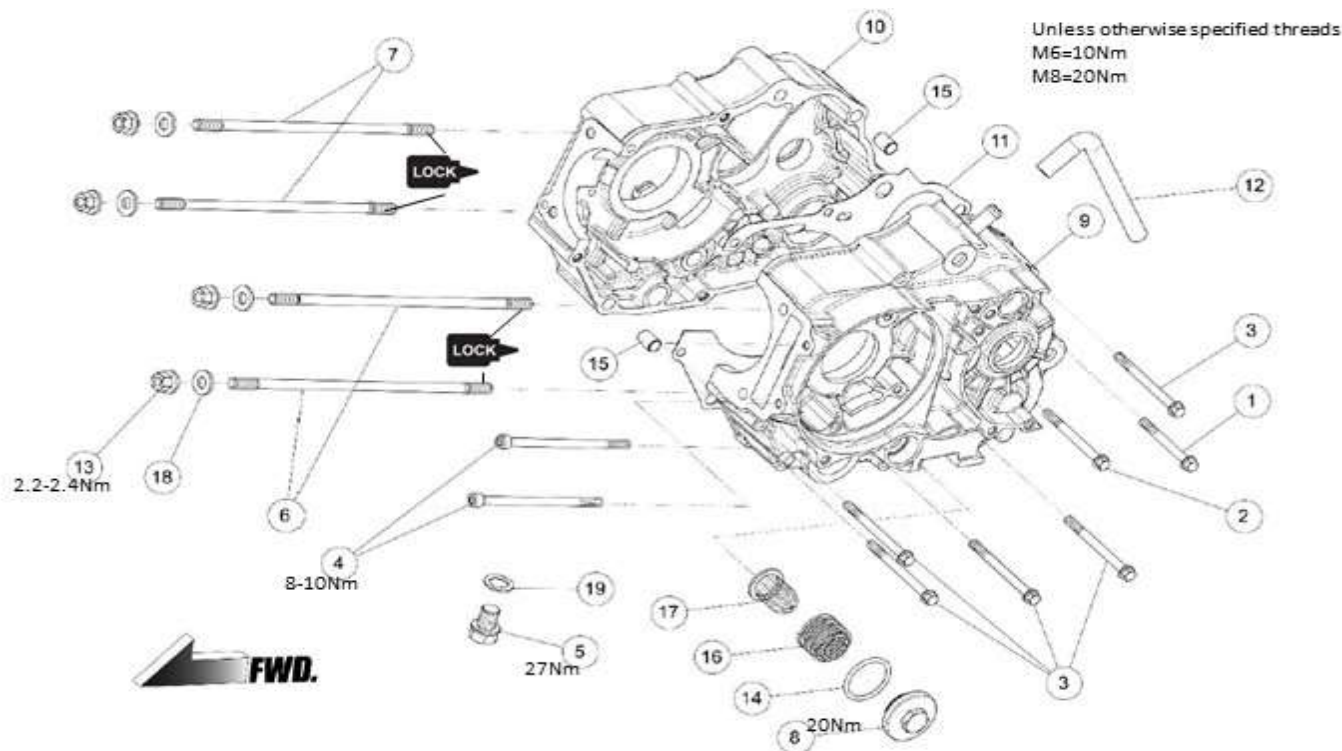
Ref#	PartNo.	DESCRIPTION	QTY	190 FSM	190 FDX	190 SYS	190 SYH
1	86481	ARM, ROCKER ROLLER EXHAUST COMP	1	●	●	●	●
2	86393	ARM, ROCKER ROLLER INTAKE COMP	1	●	●	●	●
3	86460	BOLT, COUNTERSINK M6x15	1	●	●	●	●
4	86883	SCREW M6X16	2	●	●	●	●
5	86447	BOLT, TENSIONER	1	●	●	●	●
6	87347	CAMSHAFT COMP, ECO-CAM (00)	1	OPTION	OPTION	OPTION	OPTION
6	86878	CAMSHAFT COMP, 190CC RACING 240°	1	●	●	●	●
7	86391	CHAIN, CAMSHAFT DRIVE 94L	1	●	●	●	●
8	86402	COTTER, VALVE	8	●	●	●	●
9	89681	SHAFT W/WEIGHT,DECOMP. VER3	1	●	●	●	●
10	86395	GUIDE , CHAIN CAMSHAFT	1	●	●	●	●
11	86389	PLATE, STOPPER CAM	1	●	●	●	●
12	86400	RETAINER, SPRING VALVE	4	●	●	●	●
13	86403	SEAL, VALVE STEM Φ4.5	4	●	●	●	●
14	86401	SEAT, SPRING VALVE	4	●	●	●	●
15	86392	SHAFT, ROCKER	2	●	●	●	●
16	87621	SPRING,RETURN DECOMP. VER2	1	●	●	●	●
17	87343	SPRING,VALVE	4	●	●	●	●
18	86879	SPROCKET, CAMSHAFT DRIVEN	1	●	●	●	●
19	87620	PLATE,STOPPER DECOMP. VER2	1	●	●	●	●
20	86394	TENSIONER, CAM CHAIN	1	●	●	●	●
21	86623	VALVE, EXHAUST Φ21	2	●	●	●	●
22	86397	VALVE, INTAKE Φ24.5	2	●	●	●	●

03 PISTON / CRANKSHAFT



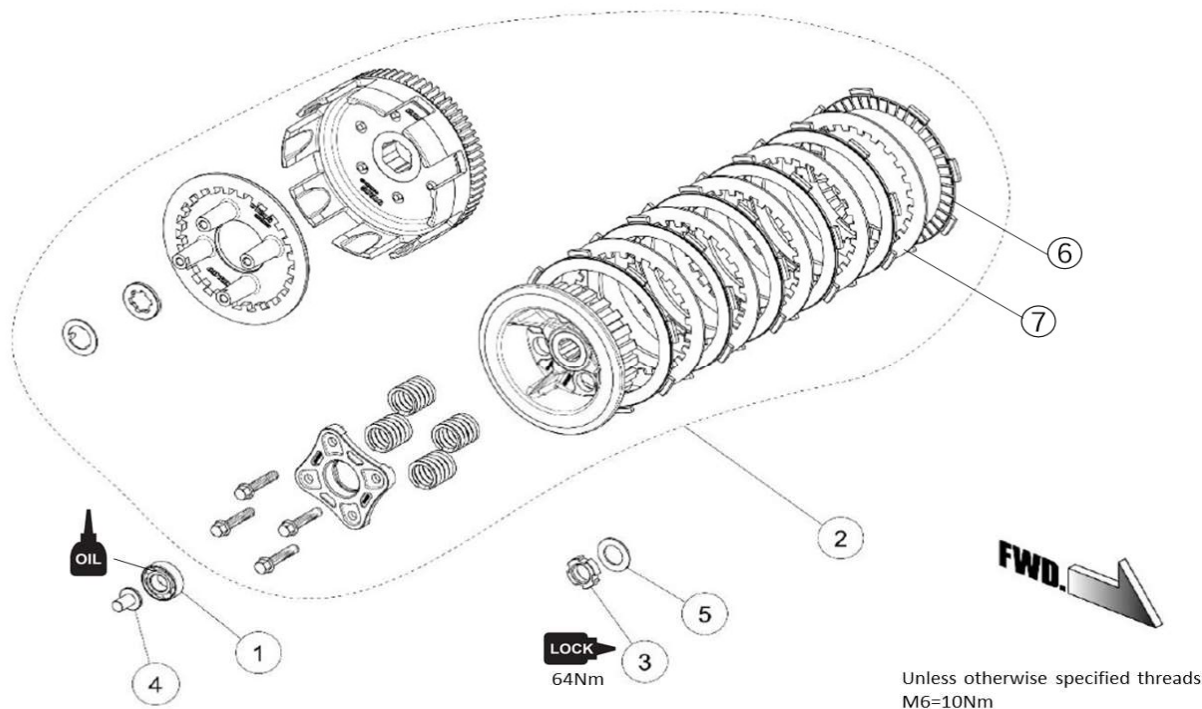
Ref#	PartNo.	DESCRIPTION	QTY	190 FSM	190 FDX	190 SYS	190 SYH
1	86453	CLIP, PIN PISTON	2	•	•	•	•
2	80601	CRANKSHAFT ASSY, 55.5MM, 4SPEED	1			•	•
2	86620	CRANKSHAFT ASSY, 62MM, 4SPEED	1	•	•		
3	86383	GEAR, OIL PUMP DRIVE	1	•	•	•	•
4	86415	GEAR, PRIMARY DRIVE	1	•	•	•	•
5	83768	NUT, SMALL M14	1	•	•	•	•
6	86443	OIL SEAL, Φ12xΦ20x5t	1	•	•	•	•
7	87978	PIN, PISTON L=39.0 FOR 66MM	1			•	•
7	86379	PIN, PISTON L=36.5 FOR 62MM	1	•	•		
8	80316	PISTON DT190S, 66MM	1			•	•
8	86621	PISTON DT190F, 62MM	1	•	•		
9	86462	RETAINING RING, RTWN22	1	•	•	•	•
10	87977	RING SET, FOR PISTON 66MM	1			•	•
10	86380	RING SET, FOR PISTON 62MM	1	•	•		
11	86411	WASHER, SPRING	1	•	•	•	•

04 CRANKCASE



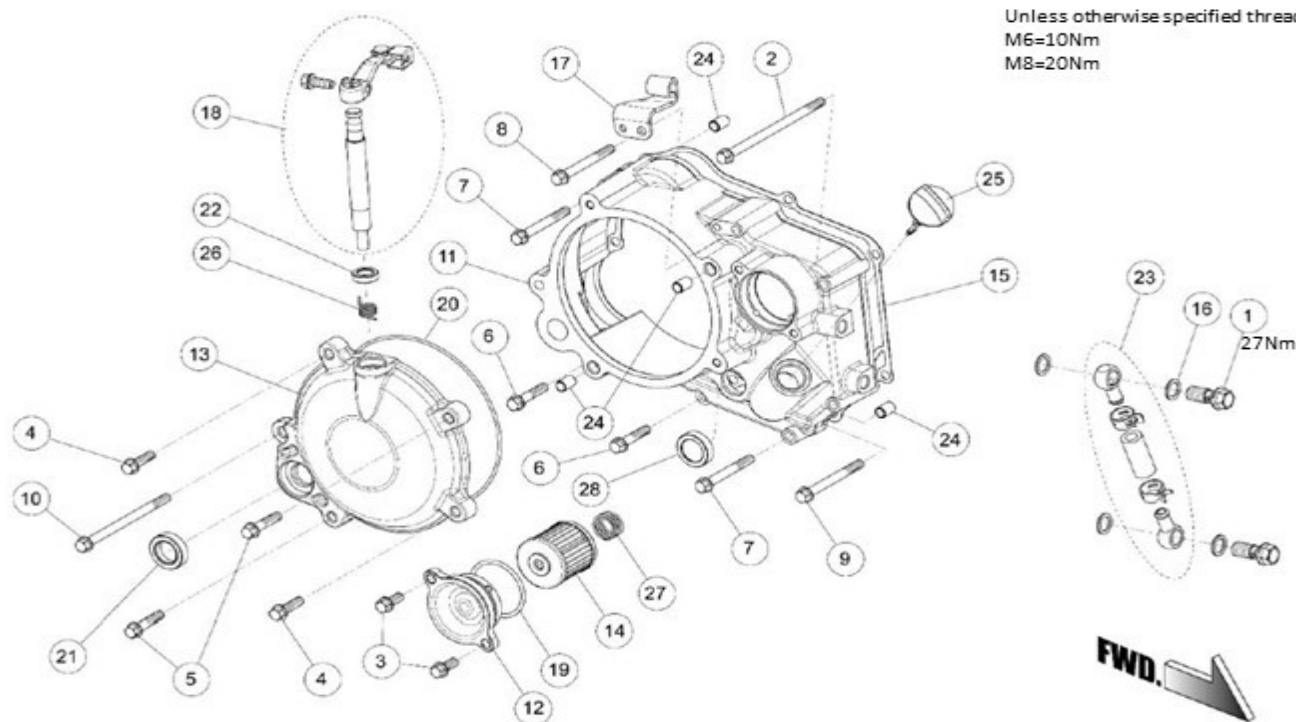
Ref#	PartNo.	DESCRIPTION	QTY	190 FSM	190 FDX	190 SYS	190 SYH
1	86474	BOLT, HEXAGON FLANGE M6x55	1	●	●	●	●
2	83761	BOLT, HEXAGON FLANGE M6x65	1	●	●	●	●
3	86360	BOLT, HEXAGON FLANGE M6x70	5	●	●	●	●
4	86459	BOLT, HEXAGON SOCKET M6x108	2	●	●	●	●
5	81008	BOLT, OIL DRAIN M12x15 WITH MAGNET	1	●	●	●	●
5	83755	BOLT, OIL DRAIN M12x15	1	●	●	●	●
6	86444	BOLT, STUD A	2	●	●	●	●
7	86445	BOLT, STUD B	2	●	●	●	●
8	86369	COVER, STRAINER OIL	1	●	●	●	●
9	86370	CRANK CASE(LH), 4SPEED, KICKSTART	1	●	●	●	●
10	86884	CRANK CASE(RH), 4SPEED, KICKSTART	1	●	●	●	●
11	86438	GASKET, CRANKCASE	1	●	●	●	●
12	86371	HOSE, BREATHER	1	●	●	●	●
13	86451	NUT FLANGE, M8	4	●	●	●	●
14	86433	O-RING, Φ30xΦ3	1	●	●	●	●
15	83720	PIN, DOWEL Φ10xΦ8.4x14	2	●	●	●	●
16	86385	SPRING, STRAINER	1	●	●	●	●
17	86387	STRAINER, OIL	1	●	●	●	●
18	86457	WASHER, GASKET M8	4	●	●	●	●
19	83754	WASHER, OIL DRAIN M12	1	●	●	●	●

05 CLUTCH



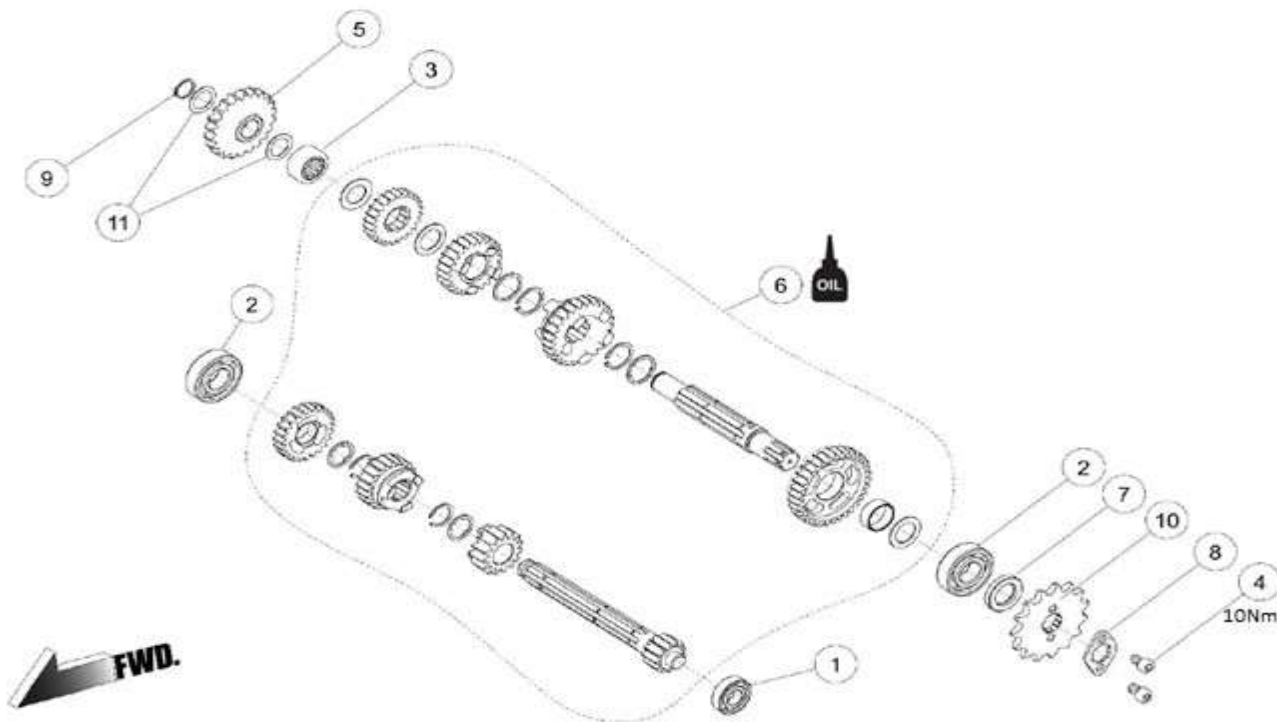
Ref#	PartNo.	DESCRIPTION	QTY	190 FSM	190 FDX	190 SYS	190 SYH
1	83786	BEARING, #6000	1	•	•	•	•
2	87619	CLUTCH COMP, W/FORGED GEAR	1	•	•	•	•
3	83768	NUT, SMALL M14	1	•	•	•	•
4	83787	PIN, LIFTER CLUTCH	1	•	•	•	•
5	86410	WASHER, SPRING $\Phi 24 \times \Phi 14.2 \times 1.2$	1	•	•	•	•
6	81356	FRICTION PLATE	6	•	•	•	•
7	81357	STEEL PLATE	5	•	•	•	•

06 COVER CLUTCH



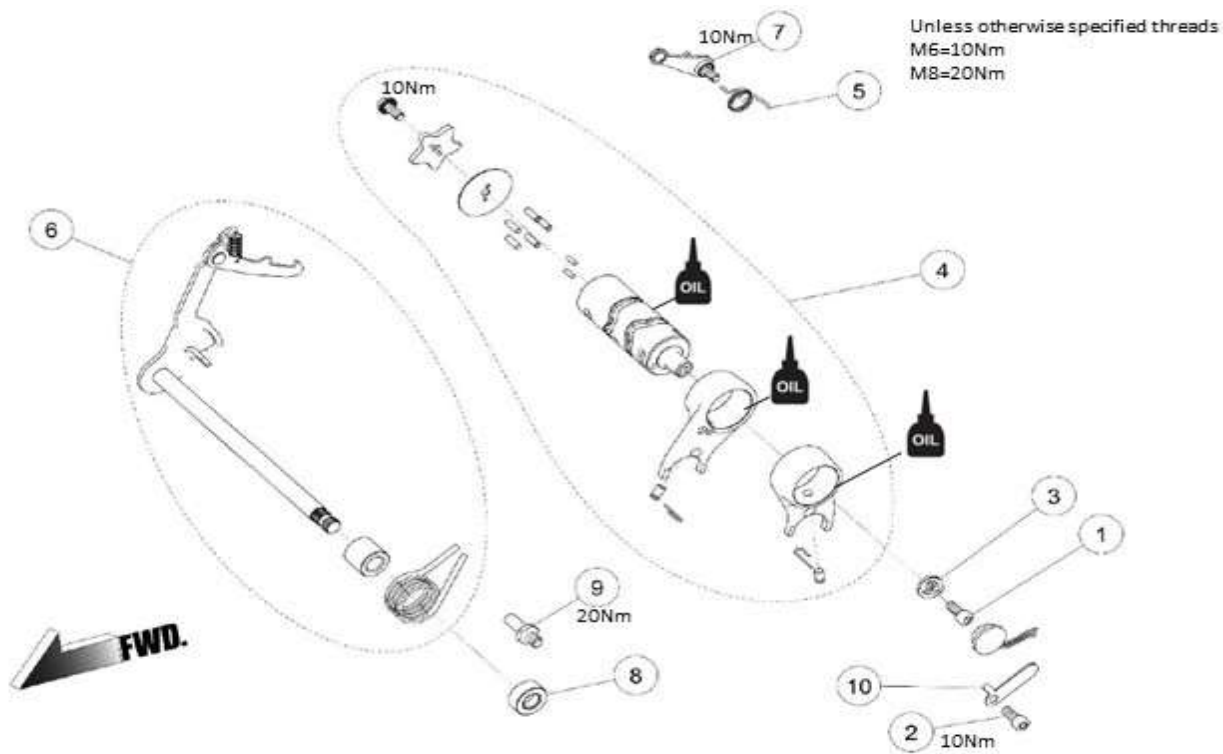
Ref#	PartNo.	DESCRIPTION	QTY	190 FSM	190 FDX	190 SYS	190 SYH
1	86446	BOLT, BANJO M10x22.5	2	●	●	●	●
2	88862	BOLT, HEXAGON FLANGE M6x115	1	●	●	●	●
3	86486	BOLT, HEXAGON FLANGE M6x15	2	●	●	●	●
4	86469	BOLT, HEXAGON FLANGE M6x22	2	●	●	●	●
5	86485	BOLT, HEXAGON FLANGE M6x28	2	●	●	●	●
6	86471	BOLT, HEXAGON FLANGE M6x30	2	●	●	●	●
7	86473	BOLT, HEXAGON FLANGE M6x50	2	●	●	●	●
8	86474	BOLT, HEXAGON FLANGE M6x55	1	●	●	●	●
9	83759	BOLT, HEXAGON FLANGE M6x60	1	●	●	●	●
10	86361	BOLT, HEXAGON FLANGE M6x90	1	●	●	●	●
11	86376	COVER, CLUTCH, KICKSTART	1	●	●	●	●
12	86374	COVER, OIL FILTER	1	●	●	●	●
13	86377	COVER, SMALL CLUTCH	1	●	●	●	●
14	86384	FILTER, OIL	1	●	●	●	●
15	86437	GASKET, COVER CLUTCH	1	●	●	●	●
16	86476	GASKET, M10	4	●	●	●	●
17	86412	HOLDER, CABLE CLUTCH	1	●	●	●	●
18	86414	LEVER, CLUTCH COMP	1	●	●	●	●
19	86432	O-RING, Φ38.6x2.6	1	●	●	●	●
20	86435	O-RING, COVER SMALL CLUTCH	1	●	●	●	●
21	86441	OIL SEAL, Φ16xΦ26x7	1	●	●	●	●
22	86442	OIL SEAL, Φ17xΦ10x5	1	●	●	●	●
23	86406	OIL THROUGH COMP	2	●	●	●	●
24	83747	PIN, DOWEL Φ8xΦ6.3x12	4	●	●	●	●
25	86386	RULER	1	●	●	●	●
26	86413	SPRING, LEVER CLUTCH	1	●	●	●	●
27	86375	SPRING, OIL FILTER	1	●	●	●	●
28	86475	WINDOW, OIL LEVEL	1	●	●	●	●

07 GEARBOX



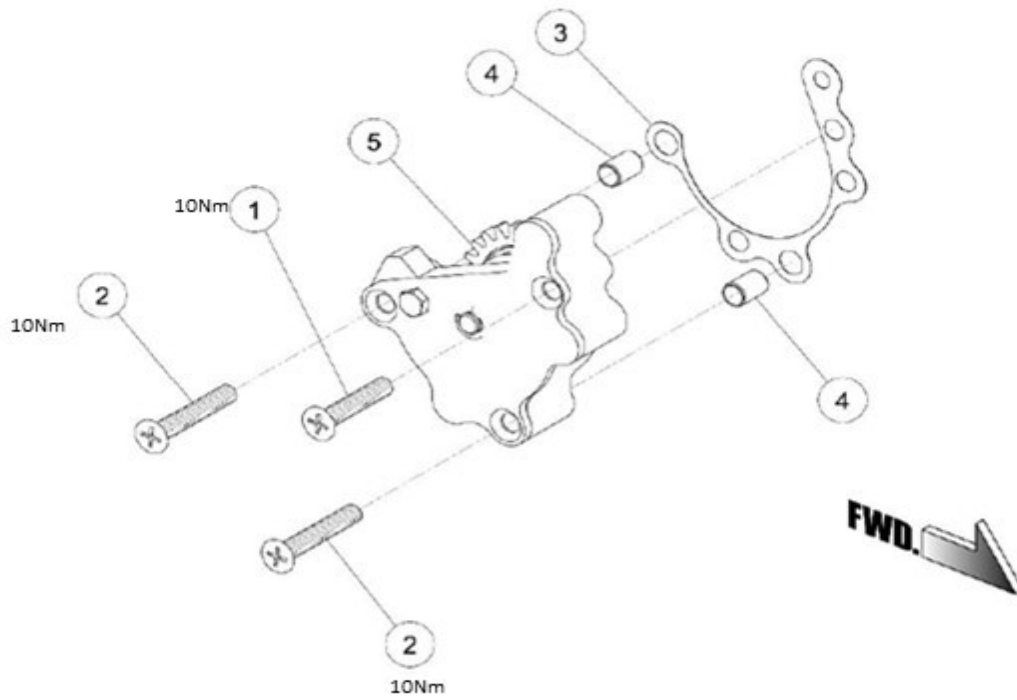
Ref#	PartNo.	DESCRIPTION	QTY	190 FSM	190 FDX	190 SYS	190 SYH
1	83788	BEARING #6001	1	●	●	●	●
2	83795	BEARING #6203	2	●	●	●	●
3	86454	BEARING NK152712	1	●	●	●	●
4	86464	BOLT, HEXAGON SOCKET M6x10	2	●	●	●	●
5	86418	GEAR IDLE, STARTER, 4SPEED	1	●	●	●	●
6	86919	GEAR, COMP, 4SPEED, N-1234	1	●	●	●	●
7	83796	OIL SEAL, Φ 29xΦ 17x5	1	●	●	●	●
8	86420	PLATE, FIXING SPROCKET DRIVE	1	●	●	●	●
9	86463	RETAINING RING Φ 13.6	1	●	●	●	●
10	81256	SPROCKET, DRIVE 428-16T	1	OPTION	OPTION	OPTION	OPTION
10	86419	SPROCKET, DRIVE 428-15T	1	●	●	●	●
11	86455	WASHER, Φ 22xΦ 15x0.5	2	●	●	●	●

08 GEARBOX MECHANISM



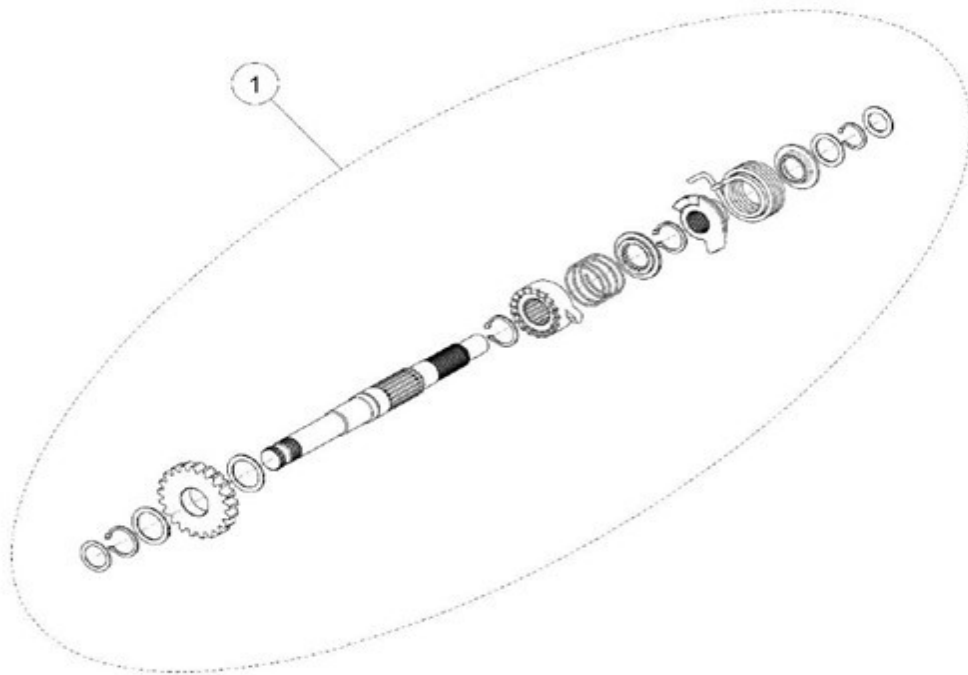
Ref#	PartNo.	DESCRIPTION	QTY	190 FSM	190 FDX	190 SYS	190 SYH
1	86449	BOLT, HEXAGON SOCKET M6	1	●	●	●	●
2	85877	BOLT, HEXAGON SOCKET M6x15	1	●	●	●	●
3	83833	CONTACT, GEAR INDICATION	1	●	●	●	●
4	86421	DRUM, SHIFT COMP, 4SPEED, N-1234	1	●	●	●	●
5	86423	SPRING, LOCATING PLATE, 4SPEED	1	●	●	●	●
6	86915	LEVER, GEAR SHIFT COMP, 4SPEED N-1234	1	●	●	●	●
7	86424	LOCATING PLATE UNIT	1	●	●	●	●
8	83837	OIL SEAL, $\Phi 11.6 \times \Phi 24 \times 10$	1	●	●	●	●
9	86480	PIN, LOCATING SHIFT LEVER	1	●	●	●	●
10	85876	PLATE, LOCATING SWITCH NEUTRAL	1	●	●	●	●

09 OIL PUMP



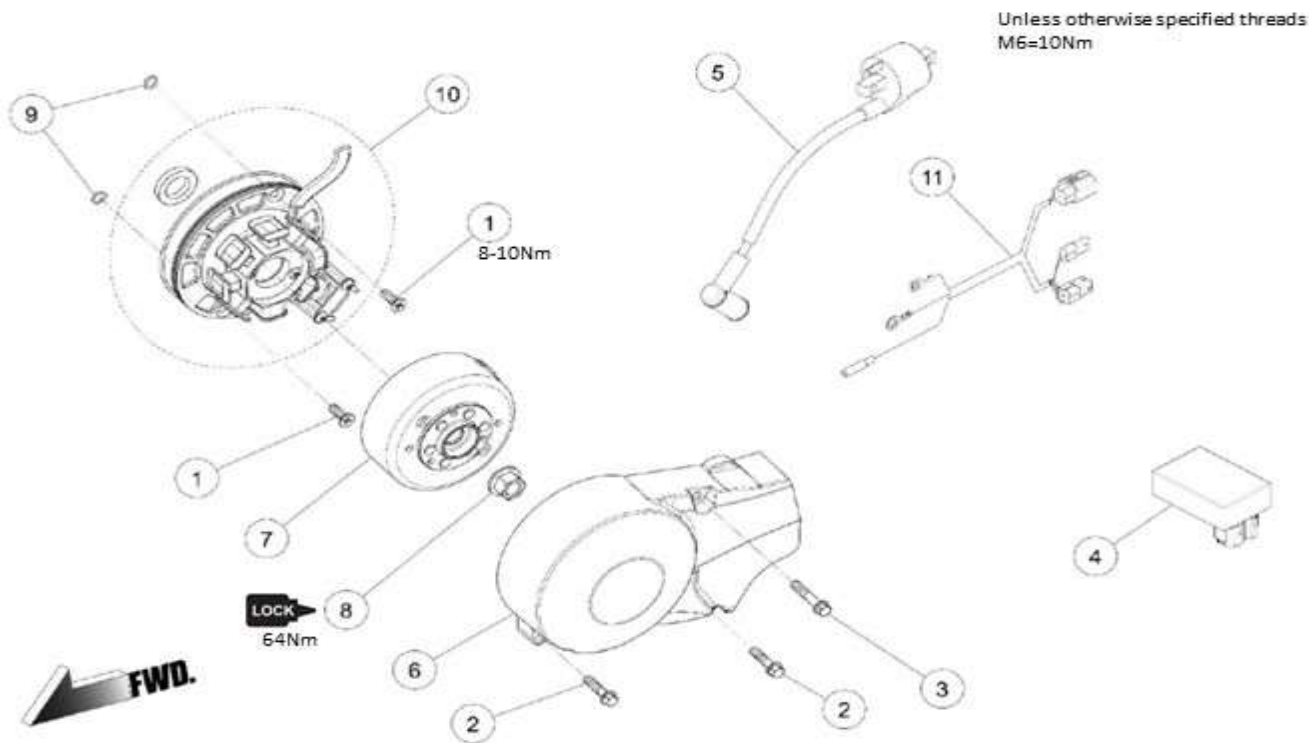
Ref#	PartNo.	DESCRIPTION	QTY	190 FSM	190 FDX	190 SYS	190 SYH
1	84678	BOLT, CROSS RECESSED COUNTERSUNK M6x30	1	•	•	•	•
2	84677	BOLT, CROSS RECESSED COUNTERSUNK M6x35	2	•	•	•	•
3	84676	GASKET, PUMP OIL	1	•	•	•	•
4	83747	PIN, DOWEL $\Phi 8 \times \Phi 6.3 \times 12$	2	•	•	•	•
5	86382	PUMP, OIL ASSY	1	•	•	•	•

10 KICK STARTER



Ref#	PartNo.	DESCRIPTION	QTY	190 FSM	190 FDX	190 SYS	190 SYH
1	86407	KICK STARTING SHAFT ASSY, 4SPEED	1	•	•	•	•

11 GENERATOR



Ref#	PartNo.	DESCRIPTION	QTY	190 FSM	190 FDX	190 SYS	190 SYH
1	86461	BOLT, CROSS RECESSED COUNTERSUNK M6x15	2	●	●	●	●
2	86464	BOLT, HEXAGON FLANGE M6x25	2	●	●	●	●
3	86472	BOLT, HEXAGON FLNAGE M6x32	1	●	●	●	●
4	87349	CDI, SELEVTABLE REV & TIMING	1		●		●
4	89373	CDI, NON-SELECTABLE REV & TIMING	1	●		●	
5	86426	COIL, IGN ITION	1	●	●	●	●
6	86373	COVER, MAGNET	1	●	●	●	●
7	89678	ROTOR ASSY, BIG	1		●		●
7	88127	ROTOR ASSY, SMALL	1	●		●	
8	86452	NUT, MAGNET M12	1	●	●	●	●
9	86479	O-RING, Φ6.5xΦ1.8	2	●	●	●	●
10	86916	STATOR ASSY , W/O LIGHT, ANIMA F, BIG ROTOR	1		●		
10	80744	STATOR ASSY , W/O LIGHT, ANIMA S, SMALL ROTOR	1			●	
10	80745	STATOR ASSY , W/O LIGHT, ANIMA S, BIG ROTOR	1				●
10	88129	STATOR ASSY , W/O LIGHT, ANIMA F, SMALL ROTOR	1	●			
11	86917	WIRE HARNESS, W/O LIGHT SYSTEM	1	●	●	●	●