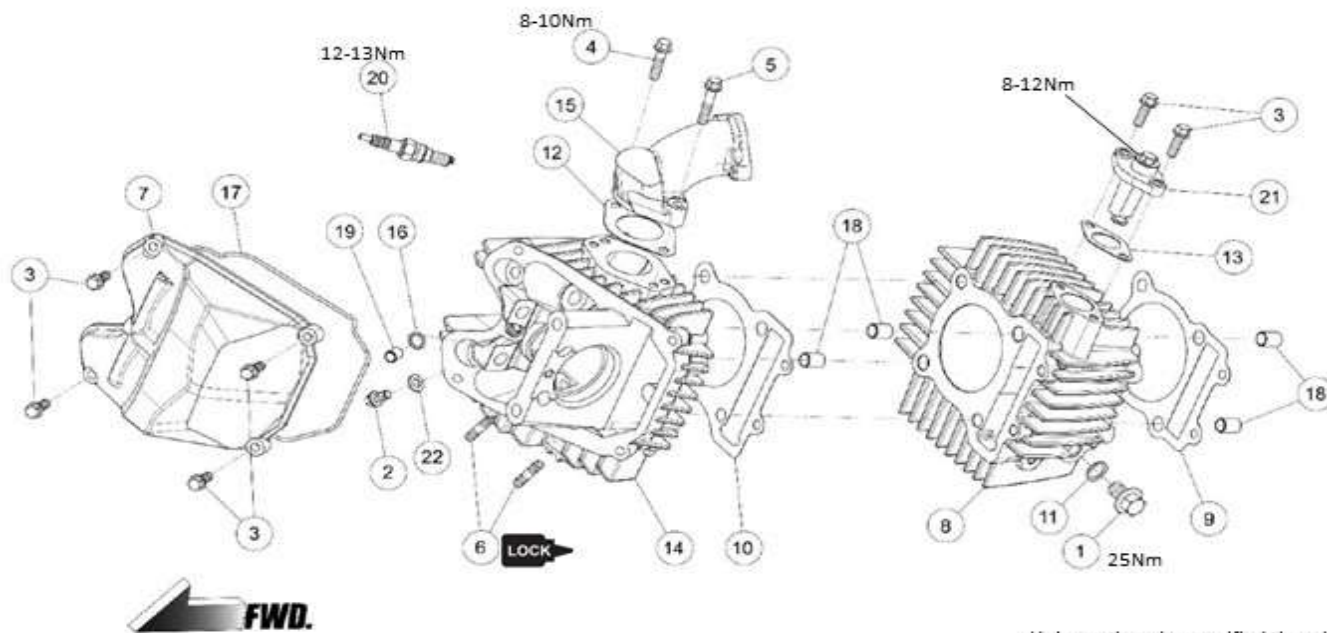


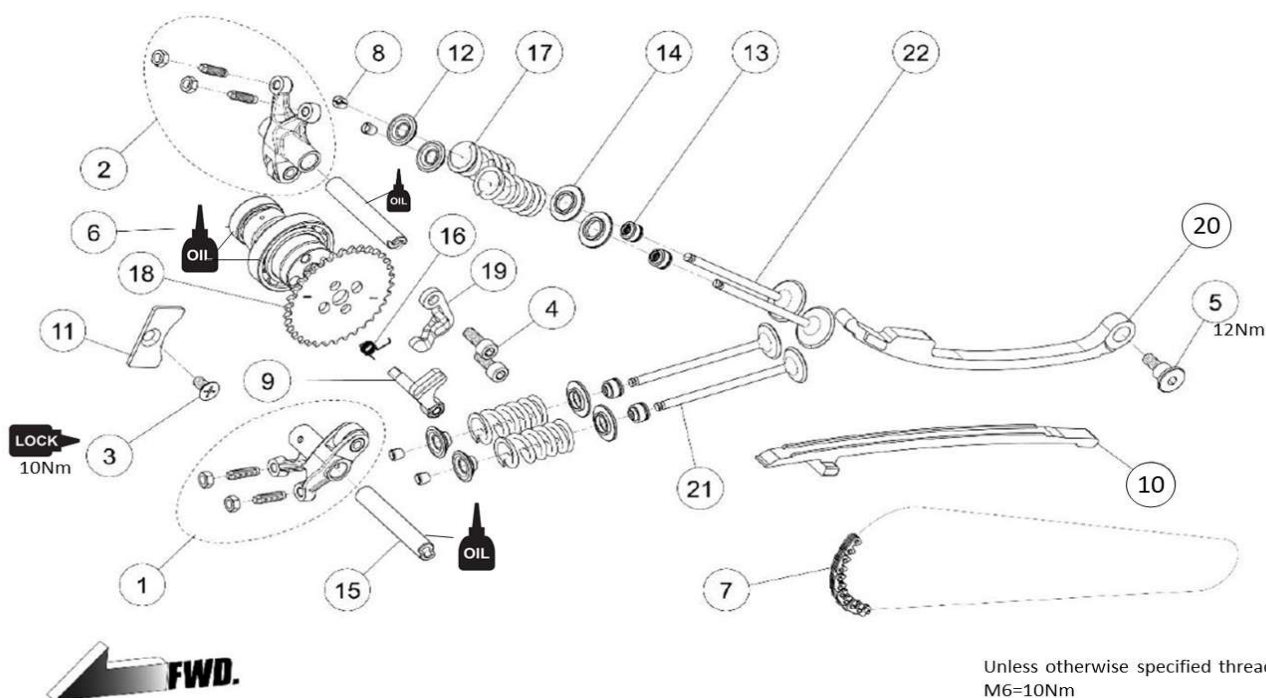
01 HEAD / CYLINDER



Unless otherwise specified threads
 M6=10Nm
 M8=20Nm

Ref#	PartNo.	DESCRIPTION	QTY	190 FZ5(-3641)	190 FZ5(3642-)	190 SZ
1	86448	BOLT, HEXAGON FLANGE M10x16	1	●	●	●
2	85877	BOLT, HEXAGON FLANGE M6x12	1	●	●	●
3	86468	BOLT, HEXAGON FLANGE M6x18	6	●	●	●
4	86466	BOLT, HEXAGON FLANGE M6x25	1	●	●	●
5	86471	BOLT, HEXAGON FLANGE M6x30	1	●	●	●
6	83703	BOLT, STUD M6x32	2	●	●	●
7	88250	COVER, CYLINDER HEAD, BLACK	1	●	●	
7	86367	COVER, CYLINDER HEAD, SHOT BLAST	1			●
8	86366	CYLINDER, 190F, 160F, 150F KICKSTART	1	●	●	
8	87975	CYLINDER, 190S	1			●
9	89458	GASKET, BASE CYLINDER	1	●	●	●
10	86440	GASKET, HEAD CYLINDER, ANIMA4V	1	●	●	●
11	86476	GASKET, M10	1	●	●	●
12	86405	GASKET, MANIFOLD	1	●	●	●
13	86439	GASKET, TANSIONER CAM CHAIN	1	●	●	●
14	86368	HEAD, CYLINDER	1	●	●	●
15	86404	MANIFOLD, INTAKE	1	●	●	●
16	86479	O-RING	1	●	●	●
17	86434	O-RING, COVER HEAD	1	●	●	●
18	83720	PIN, DOWEL $\Phi 10 \times \Phi 8.4 \times 14$	4	●	●	●
19	83747	PIN, DOWEL $\Phi 8 \times \Phi 6.3 \times 12$	1	●	●	●
20	87008	SPARK PLUG ER9EH ※OPTION	1	OPTION	OPTION	OPTION
20	86429	SPARK PLUG ER9EH-6N	1	●	●	●
21	86396	TENSIONER, CAM CHAIN COMP	1	●	●	●
22	86456	WASHER, $\Phi 6.3 \times \Phi 12 \times 1.5$	1	●	●	●

O2 VALVE MECHANISM



Ref#	PartNo.	DESCRIPTION	QTY	190 FZ5(-3641)	190 FZ5(3642-)	190 SZ
1	86481	ARM, ROCKER ROLLER EXHAUST COMP	1	●	●	●
2	86393	ARM, ROCKER ROLLER INTAKE COMP	1	●	●	●
3	86460	BOLT, COUNTERSINK M6x15	1	●	●	●
4	86883	SCREW M6X16	2	●	●	●
5	86447	BOLT, TENSIONER	1	●	●	●
6	86878	CAMSHAFT COMP, 190CC RACING 240°	1	OPTION	●	●
6	87347	CAMSHAFT COMP, ECO-CAM (00)	1	●	OPTION	OPTION
7	86391	CHAIN, CAMSHAFT DRIVE 94L	1	●	●	●
8	86402	COTTER, VALVE	8	●	●	●
9	89681	SHAFT W/WEIGHT,DECOMP. VER3	1	●	●	●
10	86395	GUIDE , CHAIN CAMSHAFT	1	●	●	●
11	86389	PLATE, STOPPER CAM	1	●	●	●
12	86400	RETAINER, SPRING VALVE	4	●	●	●
13	86403	SEAL, VALVE STEM Φ4.5	4	●	●	●
14	86401	SEAT, SPRING VALVE	4	●	●	●
15	86392	SHAFT, ROCKER	2	●	●	●
16	87621	SPRING,RETURN DECOMP. VER2	1	●	●	●
17	86624	SPRING,VALVE (GREEN MARKED)	4	●	●	●
18	86879	SPROCKET, CAMSHAFT DRIVEN	1	●	●	●
19	87620	PLATE,STOPPER DECOMP. VER2	1	●	●	●
20	86394	TENSIONER, CAM CHAIN	1	●	●	●
21	86623	VALVE, EXHAUST Φ21	2	●	●	●
22	86397	VALVE, INTAKE Φ24.5	2	●	●	●

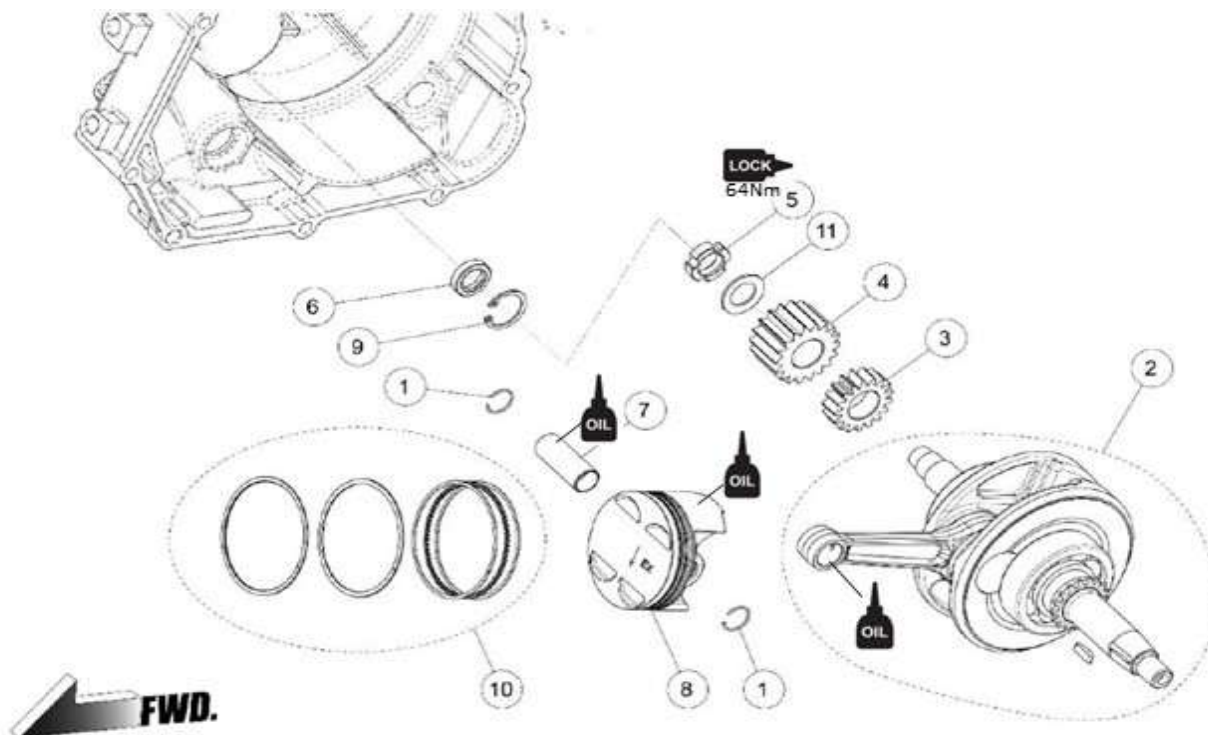


ANIMA190FZ5 : Please check your serial number.

190FZ5(3642000000~) Please see the row 190FZ5(3642-)

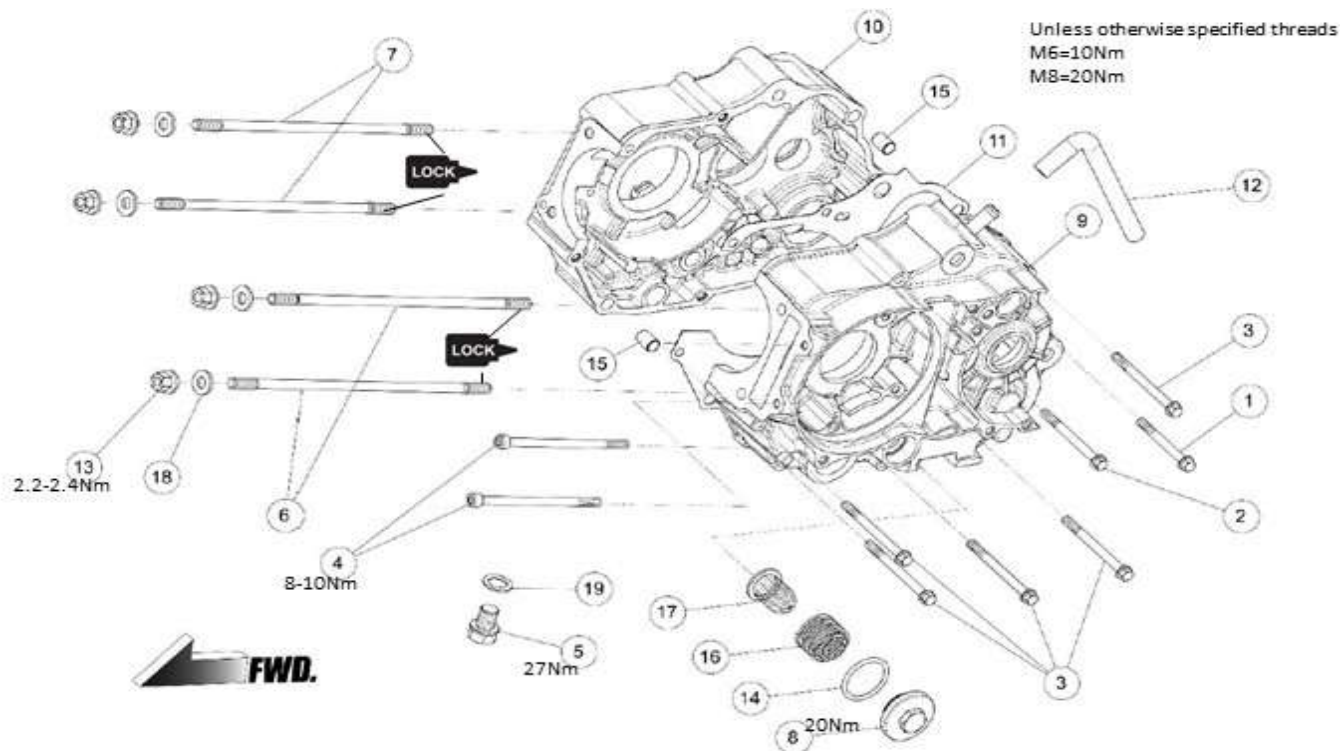
190FZ5(~3641000000) Please see the row 190FZ5(-3641)

03 PISTON / CRANKSHAFT



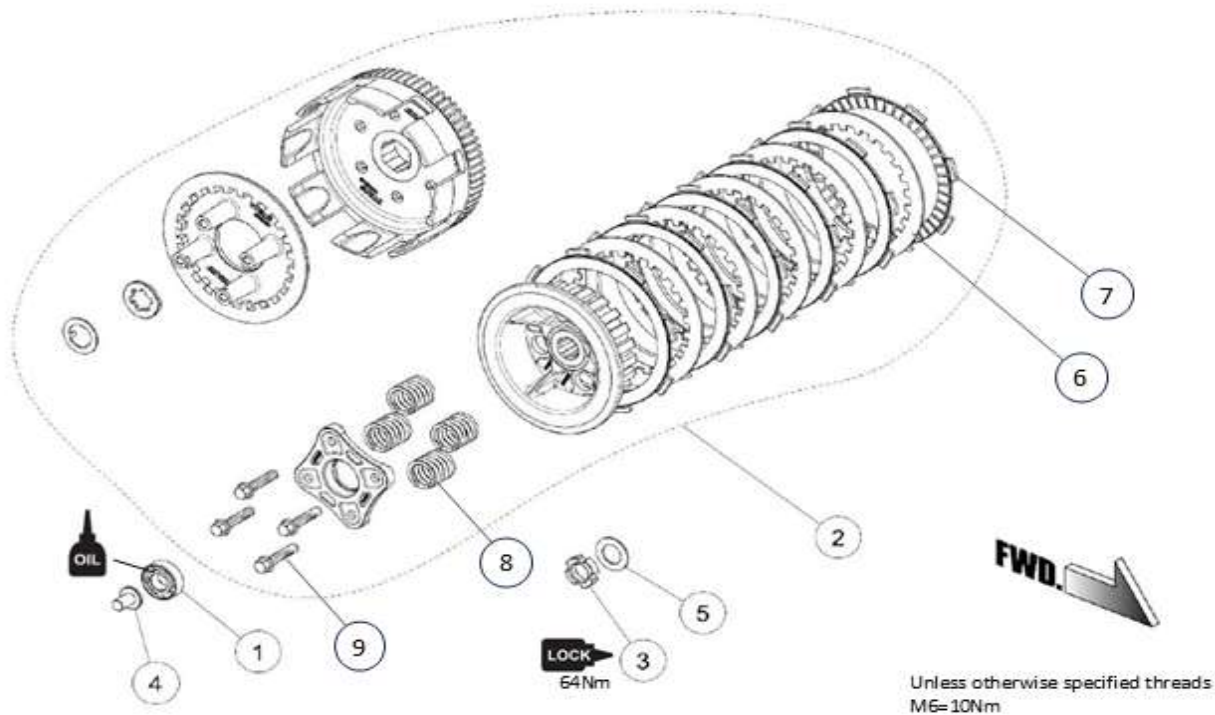
Ref#	PartNo.	DESCRIPTION	QTY	190 FZ5(-3641)	190 FZ5(3642-)	190 SZ
1	86453	CLIP, PIN PISTON	2	●	●	●
2	89144	CRANKSHAFT ASSY, 62MM, 5SPEED	1	●	●	
2	80315	CRANKSHAFT ASSY, 55.5MM, 5SPEED	1			●
3	86383	GEAR, OIL PUMP DRIVE	1	●	●	●
4	86415	GEAR, PRIMARY DRIVE	1	●	●	●
5	83768	NUT, SMALL M14	1	●	●	●
6	86443	OIL SEAL, Φ12xΦ20x5t	1	●	●	●
7	86379	PIN, PISTON L=36.5 FOR 62MM	1	●	●	
7	87978	PIN, PISTON L=39.0 FOR 66MM	1			●
8	86621	PISTON DT190F, 62MM	1	●	●	
8	80316	PISTON DT190S, 66MM	1			●
9	86462	RETAINING RING, RTWN22	1	●	●	●
10	86380	RING SET, FOR PISTON 62MM	1	●	●	
10	87977	RING SET, FOR PISTON 66MM	1			●
11	86411	WASHER, SPRING	1	●	●	●

04 CRANKCASE



Ref#	PartNo.	DESCRIPTION	QTY	190 FZ5(-3641)	190 FZ5(3642-)	190 SZ
1	86474	BOLT, HEXAGON FLANGE M6x55	1	●	●	●
2	83761	BOLT, HEXAGON FLANGE M6x65	1	●	●	●
3	86360	BOLT, HEXAGON FLANGE M6x70	5	●	●	●
4	86459	BOLT, HEXAGON SOCKET M6x108	2	●	●	●
5	83755	BOLT, OIL DRAIN M12x15	1	●	●	●
5	81008	BOLT, OIL DRAIN M12x15 WITH MAGNET	1	●	●	●
6	86444	BOLT, STUD A	2	●	●	●
7	86445	BOLT, STUD B	2	●	●	●
8	86369	COVER, STRAINER OIL	1	●	●	●
9	86370	CRANKCASE(LH), KICKSTART, 5&4-SPEED	1	●	●	●
10	88848	CRANKCASE(RH), 5SPEED, KICK&E-START	1	●	●	●
11	86438	GASKET, CRANKCASE	1	●	●	●
12	86371	HOSE, BREATHER	1	●	●	●
13	86451	NUT FLANGE, M8	4	●	●	●
14	86433	O-RING, $\Phi 30 \times \Phi 3$	1	●	●	●
15	83720	PIN, DOWEL $\Phi 10 \times \Phi 8.4 \times 14$	2	●	●	●
16	86385	SPRING, STRAINER	1	●	●	●
17	86387	STRAINER, OIL	1	●	●	●
18	86457	WASHER, GASKET M8	4	●	●	●
19	83754	WASHER, OIL DRAIN M12	1	●	●	●

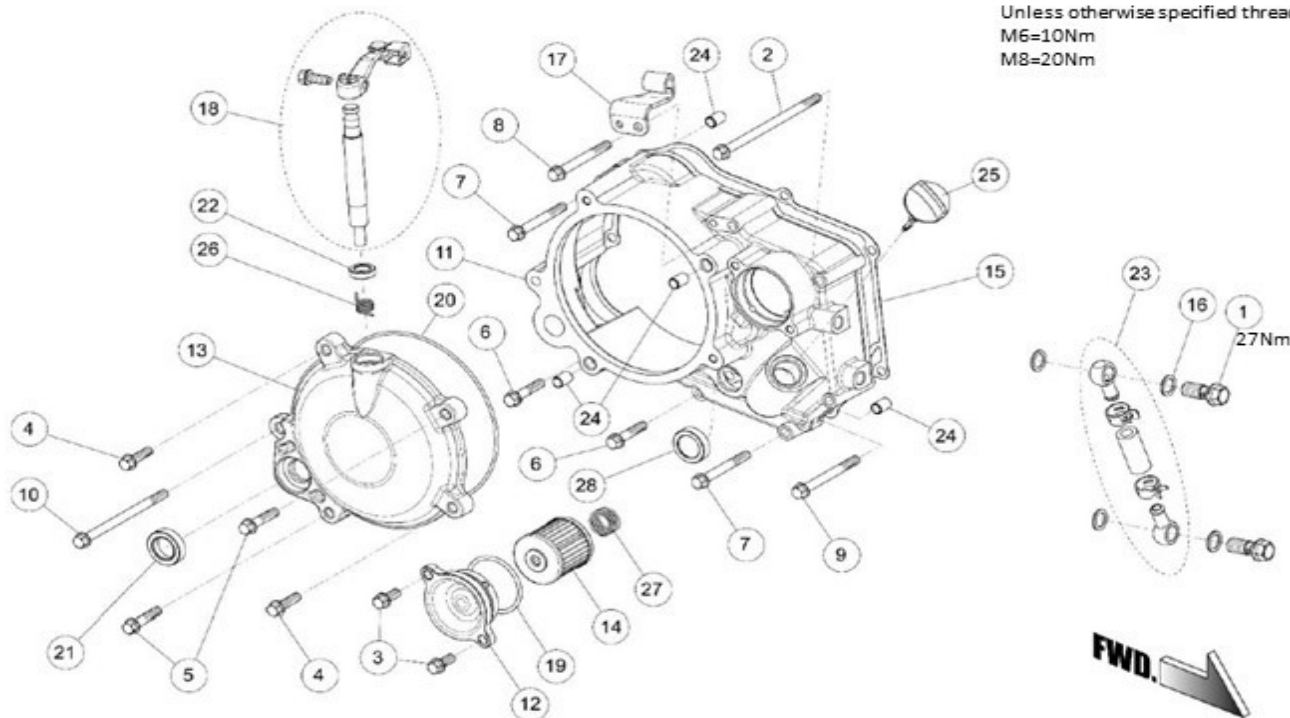
05 CLUTCH



Ref#	PartNo.	DESCRIPTION	QTY	190 FZ5(-3641)	190 FZ5(3642-)	190 SZ
1	83786	BEARING, #6000	1	•	•	•
2	87619	CLUTCH COMP, W/FORGED GEAR	1	•	•	•
3	83768	NUT, SMALL M14	1	•	•	•
4	83787	PIN, LIFTER CLUTCH	1	•	•	•
5	86410	WASHER, SPRING $\Phi 24 \times \Phi 14.2 \times 1.2$	1	•	•	•
6	81356	CLUTCH FRICTION DISK ,1PCS	6	•	•	•
7	81357	CLUTCH STEEL PLATE ,1PCS	5	•	•	•
8	81586	SPRING , CLUTCH 1PCS	4	•	•	•
9	81478	BOLT, PLESSURE PLATE 1PCS	4	•	•	•

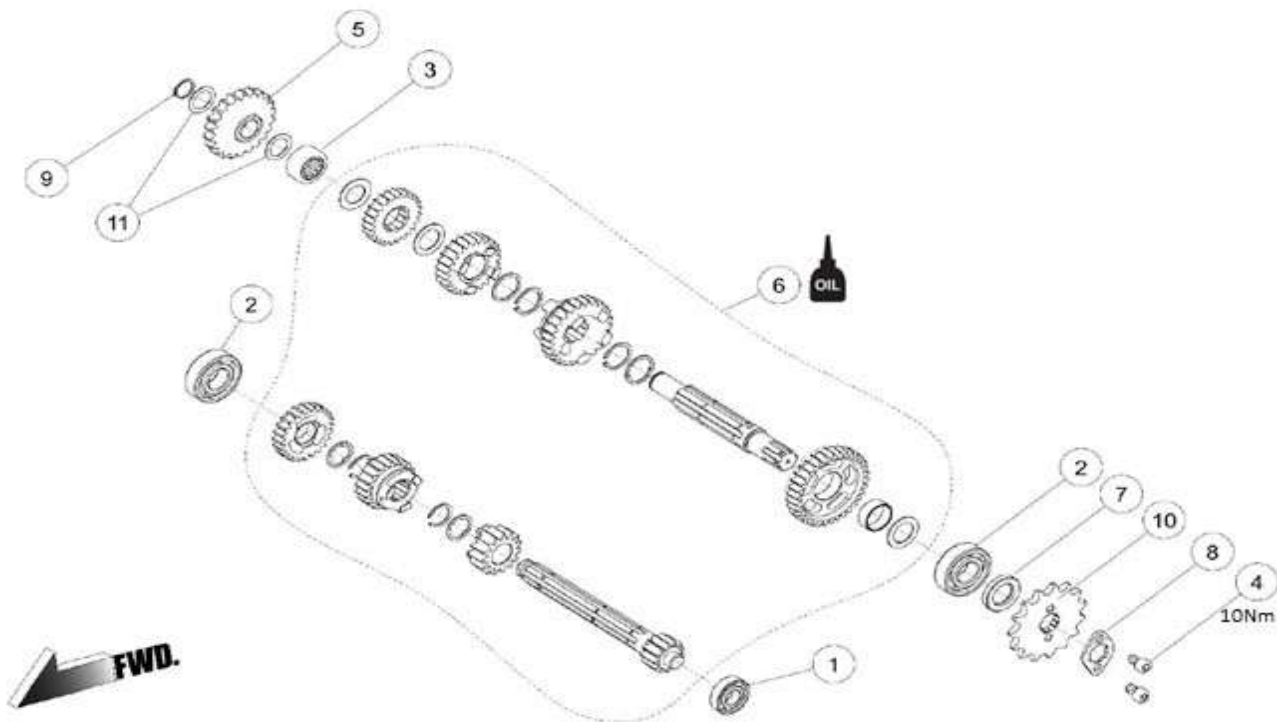
06 COVER CLUTCH

Unless otherwise specified threads
M6=10Nm
M8=20Nm



Ref#	PartNo.	DESCRIPTION	QTY	190 FZ5(-3641)	190 FZ5(3642-)	190 SZ
1	86446	BOLT, BANJO M10x22.5	2	●	●	●
2	88862	BOLT, HEXAGON FLANGE M6x115	1	●	●	●
3	88873	BOLT, HEXAGON FLANGE M6x16	2	●	●	●
4	86469	BOLT, HEXAGON FLANGE M6x22	2	●	●	●
5	86485	BOLT, HEXAGON FLANGE M6x28	2	●	●	●
6	86471	BOLT, HEXAGON FLANGE M6x30	2	●	●	●
7	86473	BOLT, HEXAGON FLANGE M6x50	2	●	●	●
8	86474	BOLT, HEXAGON FLANGE M6x55	1	●	●	●
9	83759	BOLT, HEXAGON FLANGE M6x60	1	●	●	●
10	86361	BOLT, HEXAGON FLANGE M6x90	1	●	●	●
11	86376	COVER, CLUTCH, KICKSTART	1	●	●	●
12	86374	COVER, OIL FILTER	1	●	●	●
13	86377	COVER, SMALL CLUTCH	1	●	●	●
14	86384	FILTER, OIL	1	●	●	●
15	86437	GASKET, COVER CLUTCH	1	●	●	●
16	86476	GASKET, M10	4	●	●	●
17	86412	HOLDER, CABLE CLUTCH	1	●	●	●
18	86414	LEVER, CLUTCH COMP	1	●	●	●
19	86432	O-RING, Φ38.6x2.6	1	●	●	●
20	86435	O-RING, COVER SMALL CLUTCH	1	●	●	●
21	86441	OIL SEAL, Φ16xΦ26x7	1	●	●	●
22	86442	OIL SEAL, Φ17xΦ10x5	1	●	●	●
23	86406	OIL THROUGH COMP	2	●	●	●
24	83747	PIN, DOWEL Φ8xΦ6.3x12	4	●	●	●
25	86386	RULER	1	●	●	●
26	86413	SPRING, LEVER CLUTCH	1	●	●	●
27	86375	SPRING, OIL FILTER	1	●	●	●
28	86475	WINDOW, OIL LEVEL	1	●	●	●

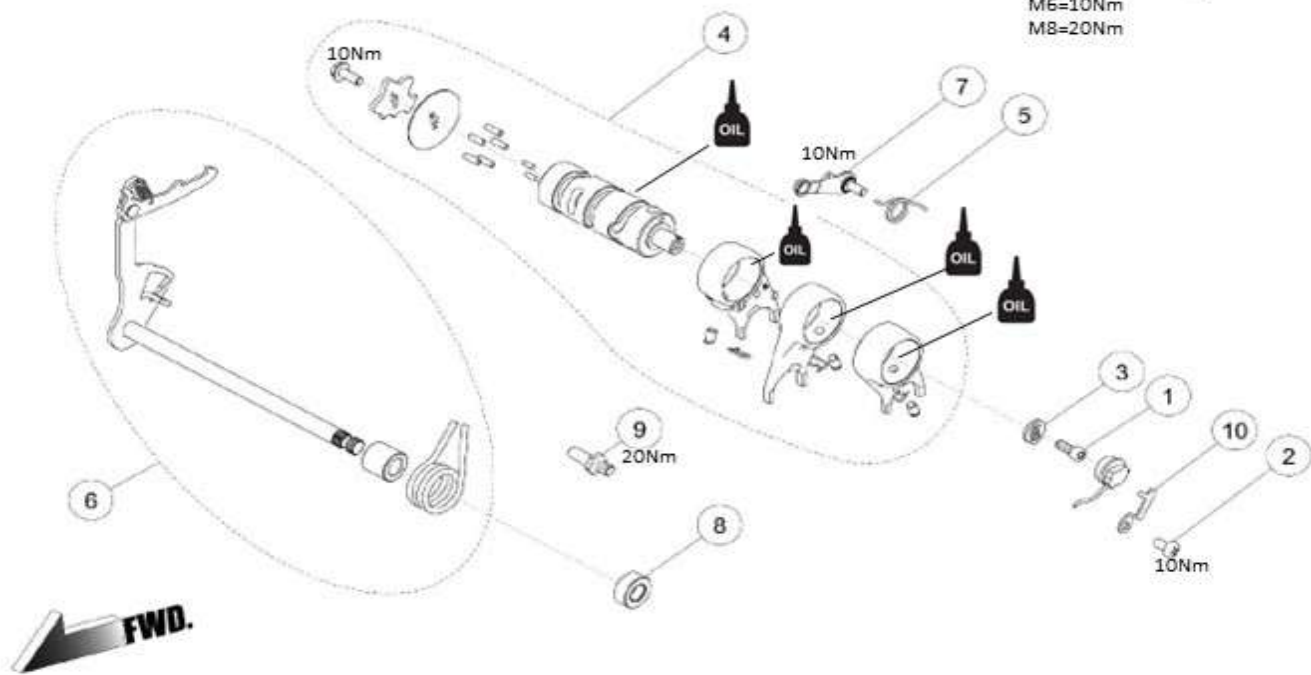
07 GEARBOX



Ref#	PartNo.	DESCRIPTION	QTY	190 FZ5(-3641)	190 FZ5(3642-)	190 SZ
1	83788	BEARING #6001	1	●	●	●
2	83795	BEARING #6203	2	●	●	●
3	80240	BEARING NK162712	1	●	●	●
4	86464	BOLT, HEXAGON SOCKET M6x10	2	●	●	●
5	80241	GEAR IDLE, STARTER, 5SPEED	1	●	●	●
6	80239	GEAR, COMP, 5SPEED, 1-N2345	1	●	●	●
7	83796	OIL SEAL, Φ29xΦ17x5	1	●	●	●
8	86420	PLATE, FIXING SPROCKET DRIVE	1	●	●	●
9	80243	RETAINING RING Φ16	1	●	●	●
10	86419	SPROCKET, DRIVE 428-15T	1	●	●	●
10	81256	SPROCKET, DRIVE 428-16T	1	OPTION	OPTION	OPTION
11	80242	WASHER, Φ23xΦ16.1x0.5	2	●	●	●

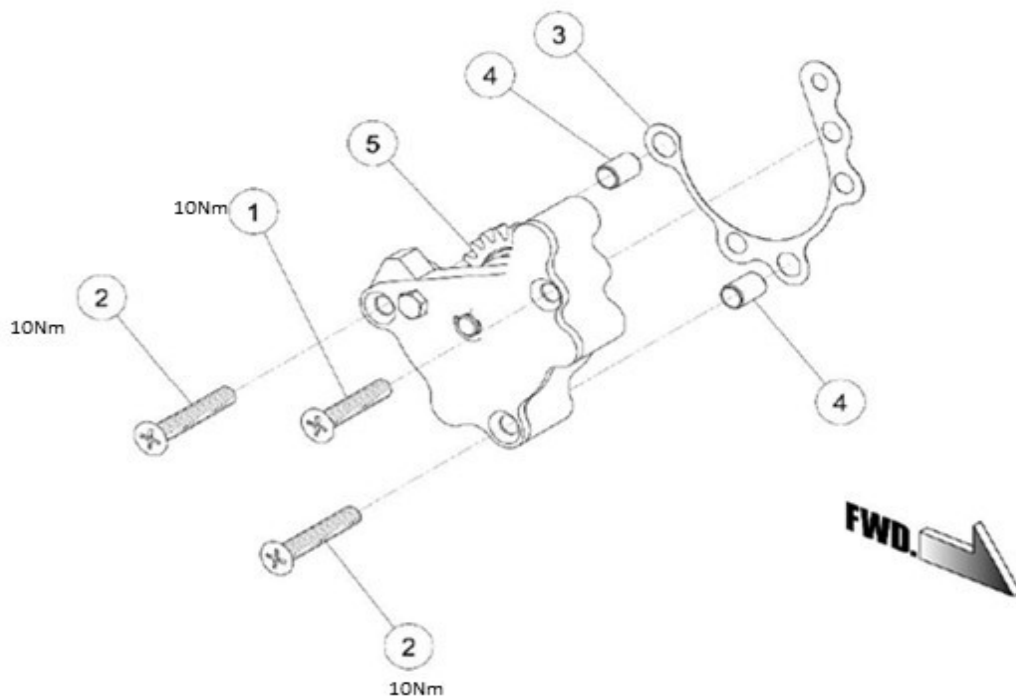
08 GEARBOX MECHANISM

Unless otherwise specified threads
 M6=10Nm
 M8=20Nm



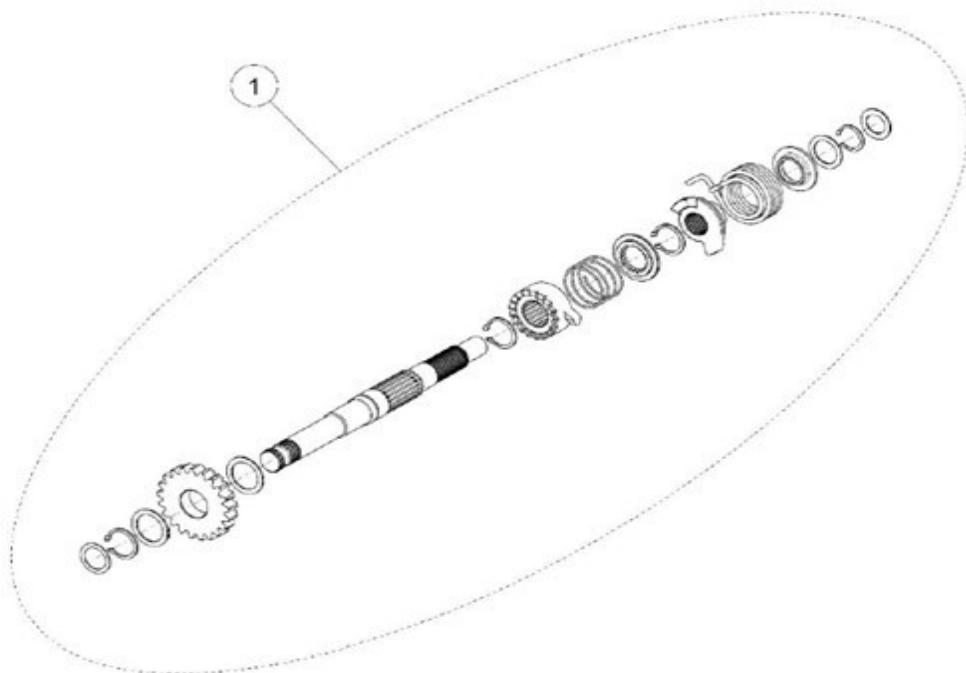
Ref#	PartNo.	DESCRIPTION	QTY	190 FZ5(-3641)	190 FZ5(3642-)	190 SZ
1	86449	BOLT, HEXAGON SOCKET M6	1	●	●	●
2	85877	BOLT, HEXAGON SOCKET M6x15	1	●	●	●
3	83833	CONTACT, GEAR INDICATION	1	●	●	●
4	89744	DRUM, SHIFT COMP, 5SPEED, 1-N2345	1	●	●	●
5	88424	SPRING, LOCATING PLATE, 5SPEED	1	●	●	●
6	88886	LEVER, GEAR SHIFT COMP, 5SPEED	1	●	●	●
7	86424	LOCATING PLATE UNIT	1	●	●	●
8	83837	OIL SEAL, Φ11.6xΦ24x10	1	●	●	●
9	86480	PIN, LOCATING SHIFT LEVER	1	●	●	●
10	85876	PLATE, LOCATING SWITCH NEUTRAL	1	●	●	●

09 OIL PUMP



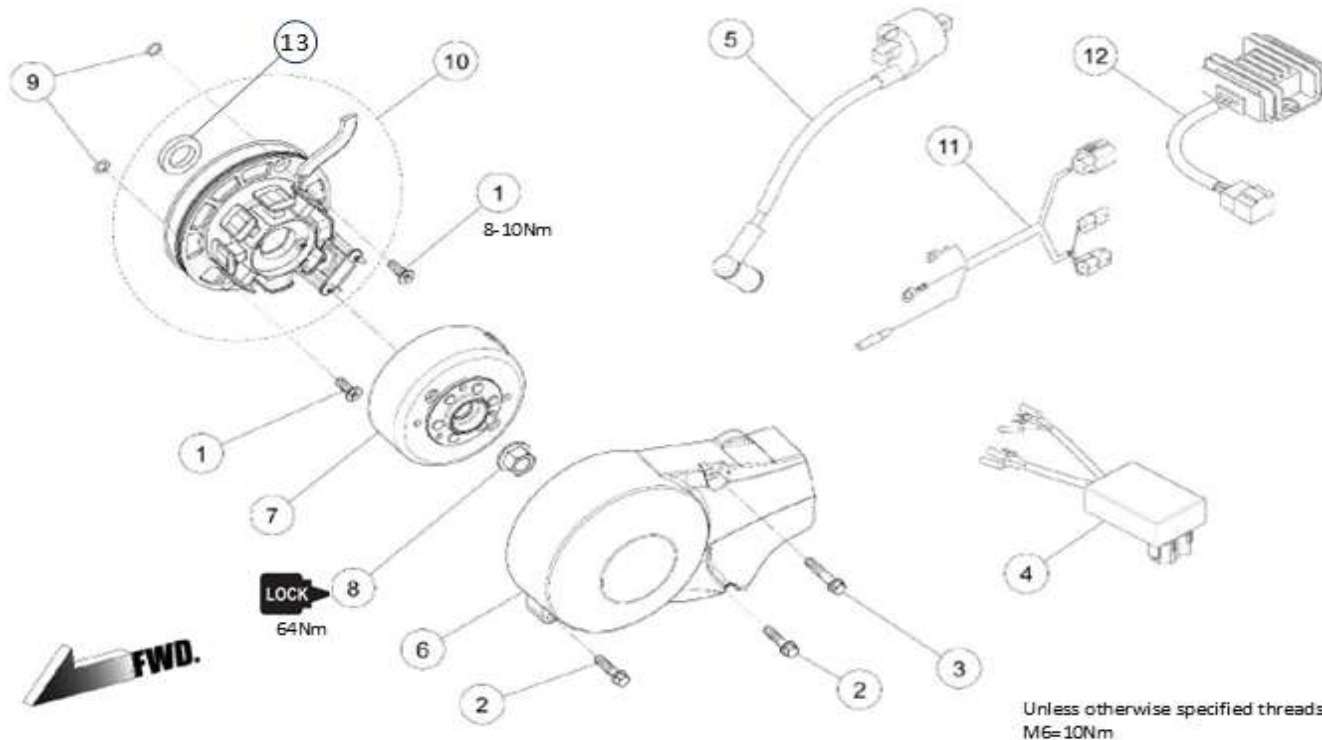
Ref#	PartNo.	DESCRIPTION	QTY	190 FZ5(-3641)	190 FZ5(3642-)	190 SZ
1	84678	BOLT, CROSS RECESSED COUNTERSUNK M6x35	1	•	•	•
2	84677	BOLT, CROSS RECESSED COUNTERSUNK M6x40	2	•	•	•
3	84676	GASKET, PUMP OIL	1	•	•	•
4	83747	PIN, DOWEL $\Phi 8 \times \Phi 6.3 \times 12$	2	•	•	•
5	86382	PUMP, OIL ASSY	1	•	•	•

10 KICK STARTER



Ref#	PartNo.	DESCRIPTION	QTY	190 FZ5(-3641)	190 FZ5(3642-)	190 SZ
1	88883	KICK STARTING SHAFT ASSY, 5SPEED	1	•	•	•

11 GENERATOR



Ref#	PartNo.	DESCRIPTION	QTY	190 FZ5(-3641)	190 FZ5(3642-)	190 SZ
1	86461	BOLT, CROSS RECESSED COUNTERSUNK M6x15	2	●	●	●
2	86464	BOLT, HEXAGON FLANGE M6x25	2	●	●	●
3	86472	BOLT, HEXAGON FLNAGE M6x32	1	●	●	●
4	87348	CDI, NON-SELECTABLE REV & SPARK TIMING	1	●	OPTION	
4	87349	CDI, SELECTABLE REV & SPARK TIMING	1	OPTION	●	●
5	86426	COIL, IGN ITION	1	●	●	●
6	86373	COVER, MAGNET	1	●	●	●
7	89678	ROTOR ASSY, BIG	1	●	●	●
8	86452	NUT, MAGNET M12	1	●	●	●
9	86479	O-RING, Φ6.5xΦ1.8	2	●	●	●
10	86430	STATOR ASSY, WITH LIGHT, ANIMA F	1	●	●	
10	80750	STATOR ASSY, WITH LIGHT, ANIMA S	1			●
11	86428	WIRE HERNESS, LIGHT SYSTEM READY	1	●	●	●
12	87189	REGULATE RECTIFIER	1	●	●	●
13	83907	OIL SEAL, 19MM FOR ANIMA F	1	●	●	
13	80560	OIL SEAL 21MM FOR ANIMA S	1			●



ANIMA190FZ5 : Please check your serial number.

190FZ5(364200000~) Please see the row 190FZ5(3642-)

190FZ5(~364100000) Please see the row 190FZ5(-3641)