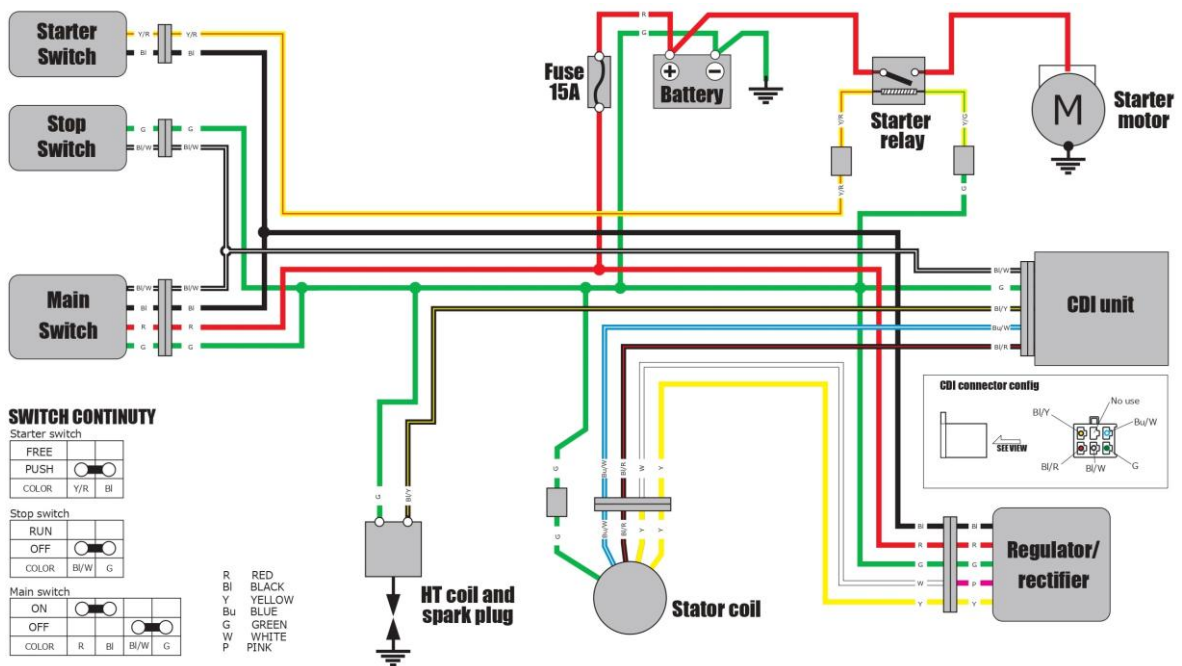


ELECTRICAL DIAGRAM for Anima190FE



ATTENTION

Wiring Harness is not included in the Anima FE Engine Kit.



Option Wiring Harness for Anima190FE

>>> See next page

OPTION WIRING HARNESS for Anima190FE



ATTENTION

Please check your CDI type before ordering option harness



■ **Harness Version 1 (PN#89416)**

- Connector type : **6 pin**
- For #88895 *Non-Selectable* CDI.
(the standard CDI included with earlier models,
serial up to #3641000000)



■ **Harness Version 2 (PN#81673)**

- Connector type : **4+2 pin**
- For #87349 *Selectable* CDI
(the standard CDI included with later models,
serial #3642000000 and above

