

## #81302

### CLUTCH SPRING, -20% SOFT

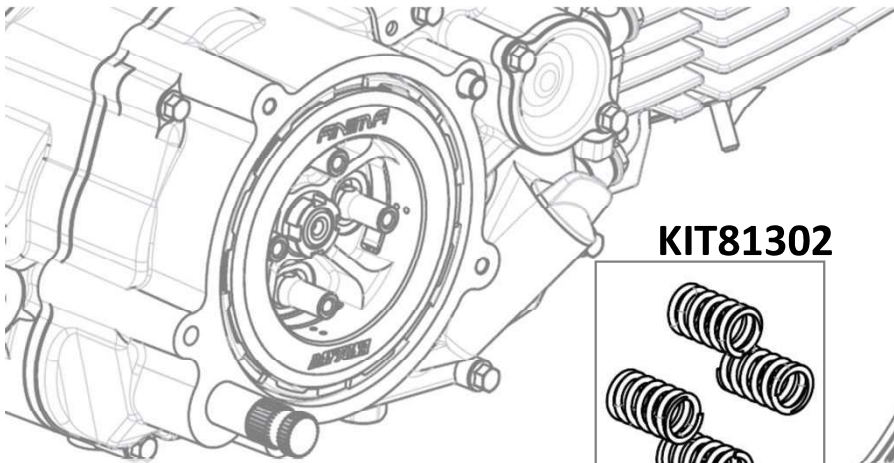
- Adjust the slipper clutch performance by changing the number of soft springs.



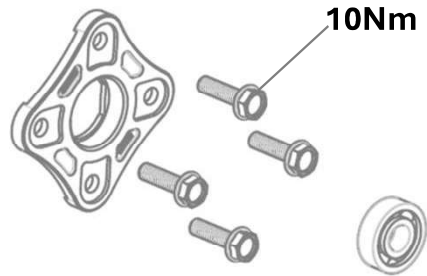
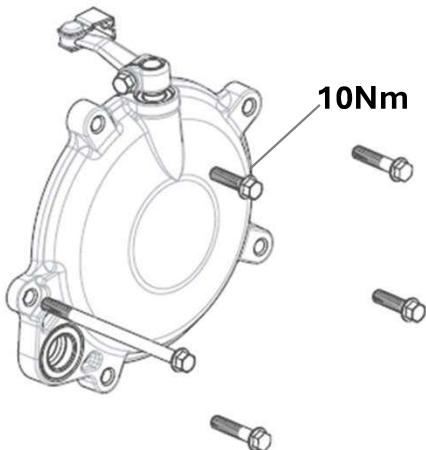
① Increased slipper effect  
Install 2 soft springs  
(Keep 2 stock springs)



② Maximum slipper effect  
Install 4 soft springs.



**KIT81302**



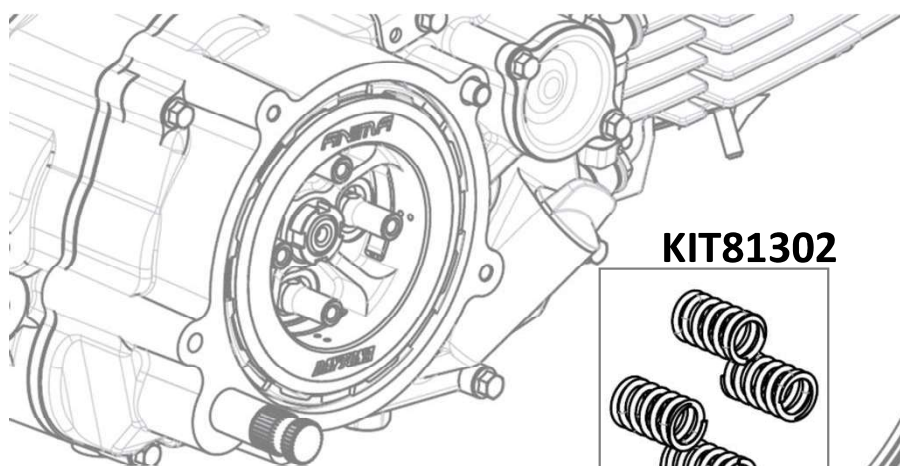
## #81302

### CLUTCH SPRING, -20% SOFT

- Ajustez l'effet anti-dribble en modifiant le nombre de ressorts souples.

① Effet anti-dribble augmenté  
Installez 2 ressorts souples et  
conservez 2 ressorts d'origine.

② Effet anti-dribble maximal  
Installez 4 ressorts souples.



**KIT81302**

