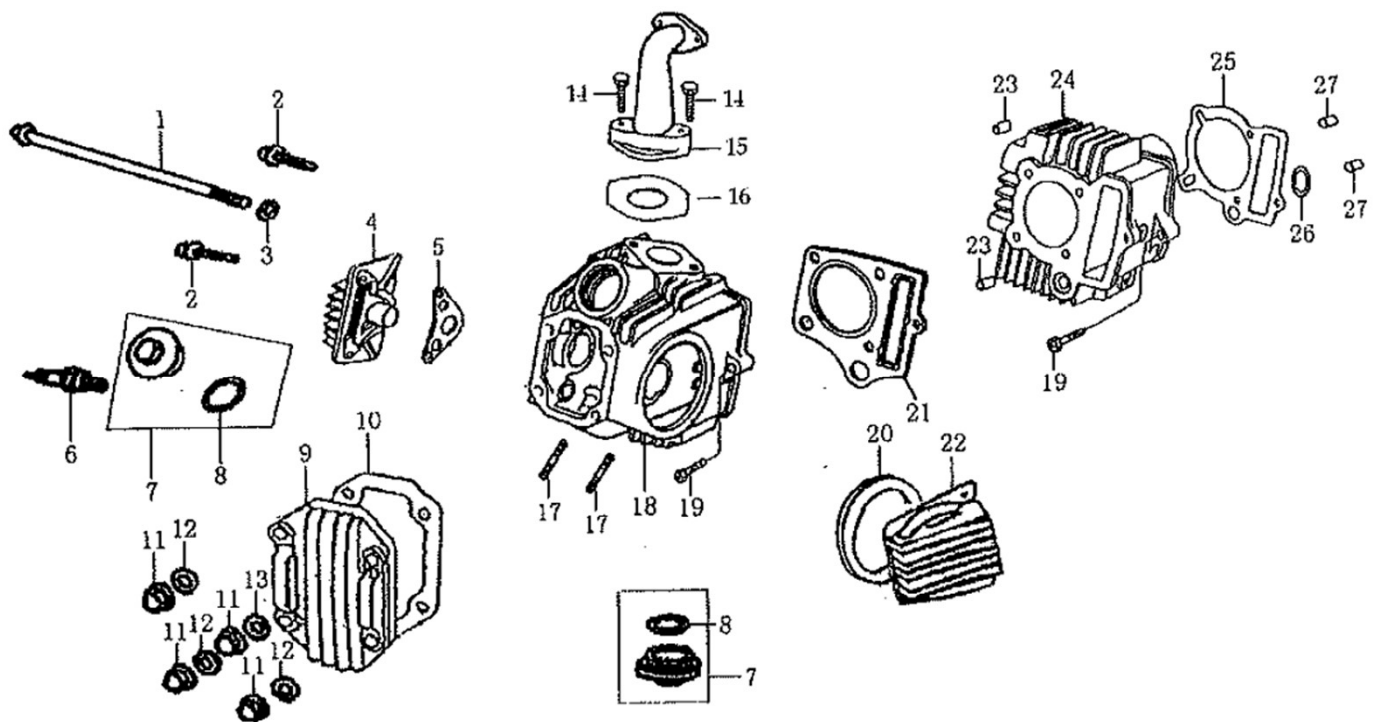


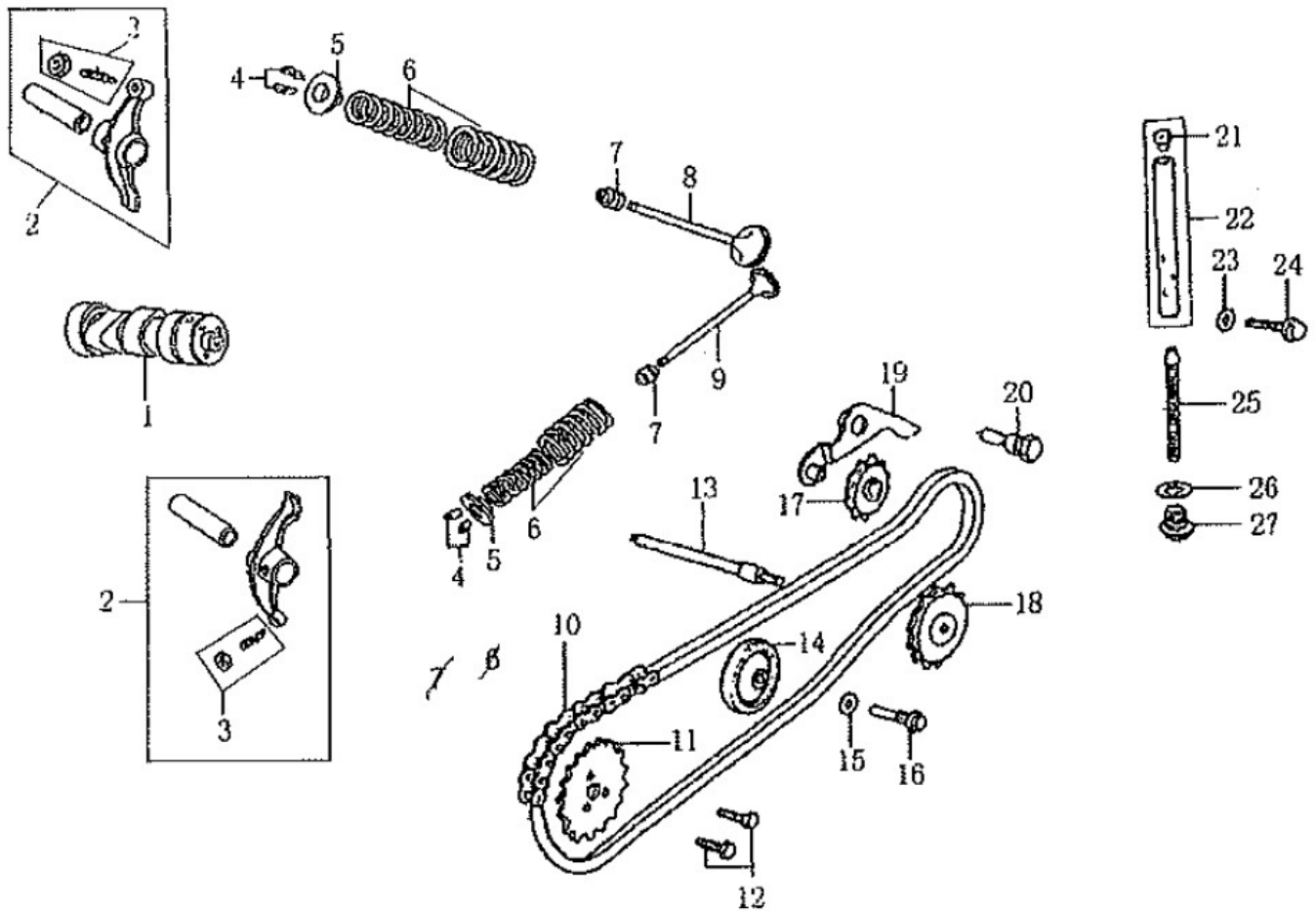
DT115A Parts List



CYLINDER HEAD

Ref No.	Part No.	Delivery Date	Priority	English Description	Q'ty	Ref No.	Part No.	Delivery Date	Priority	English Description	Q'ty
1	83693	20	B	BOLT M6x110	1	21	83707	20	A	GASKET ASSY, CYLINDER HEAD	1
2	83716	20	C	BOLT M6x20	2	22	83708	45	C	COVER, CYLINDER HEAD SIDE	1
3	83694	20	A	WASHER 6.5x1x12	1	23	83709	20	A	LOCATING DOWEL 8x14x7	2
4	83695	45	C	COVER, R. CYLINDER HEAD SIDE	1	24	83710	45	A	CYLINDER ASSY	1
5	83696	20	A	GASKET, CYLINDER HEAD RIGHT COVER	1	25	83711	20	A	GASKET, CYLINDER BLOCK	1
6				SPARK PLUG	1	26	83717	20	A	RUBBER GASKET	1
7	83697	20	C	COVER ASSY, VALVE CHAMBER	2	27	83712	45	B	DOWEL PIN 8x12x7	2
8				O-RING 31.5x3.55	2						
9	83698	45	C	UPPER COVER, CYLINDER HEAD	1						
10	83699	20	A	GASKET, CYLINDER HEAD UPPER COVER	1						
11	83700	45	B	NUT M7	4						
12	83701	20	A	WASHER 7.3x2.5x14	3						
13	83702	20	A	WASHER 7.3x2.5x14	1						
14	32785	7	C	BOLT M6x20	1						
15	83713	45	A	INTAKE MANIFOLD	1						
16	83715	20	A	GASKET, INTAKE	2						
17	83703	20	B	STUD M6x32	2						
18	83704	20	A	CYLINDER HEAD ASSY	1						
19	83705	20	C	BOLT M6x23	2						
20	83706	20	A	GASKET, CYLINDER HEAD LEFT COVER	1						

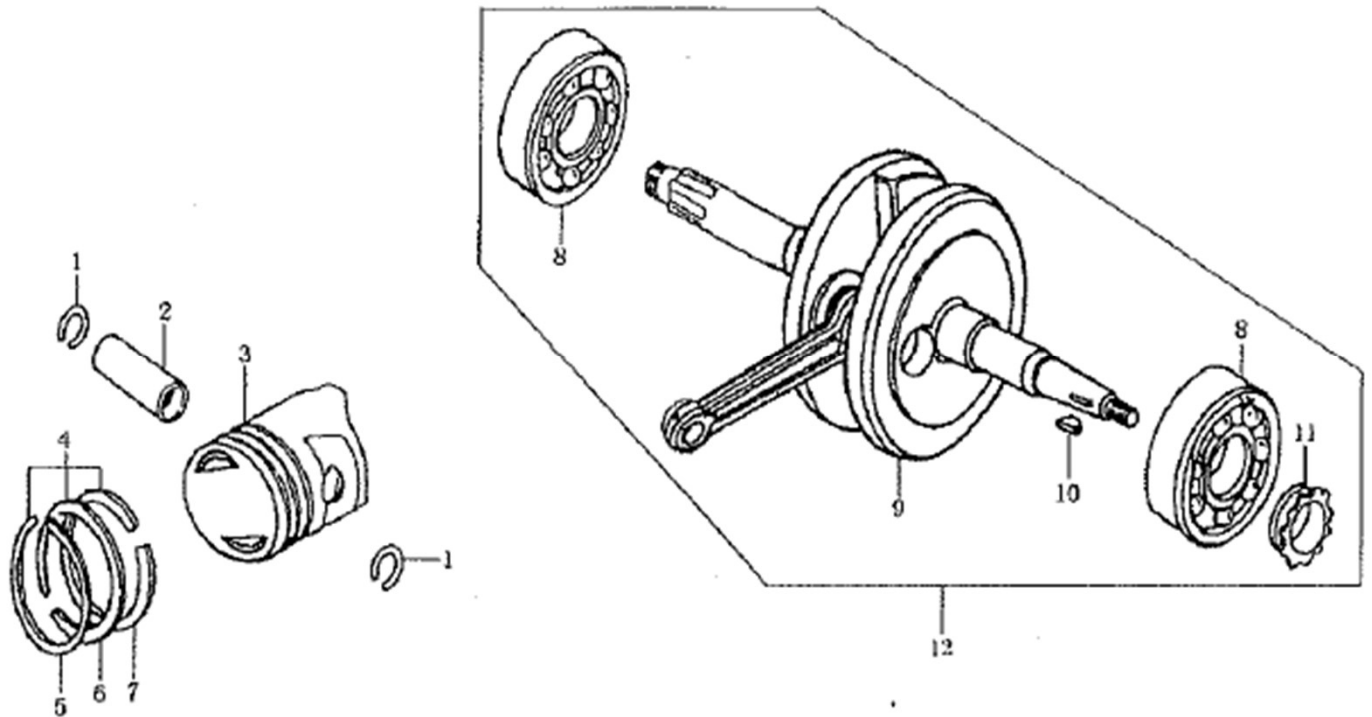
DT115A Parts List



VALVE MECHANISM

Ref No.	Part No.	Delivery Date	Priority	English Description	Q'ty	Ref No.	Part No.	Delivery Date	Priority	English Description	Q'ty
1	60616	7	A	CAMSHAFT COMP	1	21	83735	45	A	CHAIN TENSIONER PUSH ROD HEAD	1
2	61926	7	B	VALVE ROCKER ARM SET	1	22	83736	45	B	TENSIONER PUSH ROD ASSEMBLY	1
3	26549	7	B	ADJUST BOLT & NUT SET	1	23	83737	45	B	WASHER 6.5x1.5x12	1
4	26550	7	C	VALVE COTTER SET	1	24	83738	45	B	BOLT M6x18	1
5	26553	7	C	RETAINER SET	1	25	83739	45	B	SPRING, TENSION PUSH ROD	1
6	26547	7	B	VALVE SPRING SET(DOUBLE SPRING)	1	26	83740	45	B	WASHER 14.2x1.5x20	1
7	26551	20	A	VALVE STEM SEAL SET	1	27	83741	45	B	SEALING PLUG M1.4x1.5	1
8	60614	7	B	INTAKE VALVE	1	28					
9	60615	7	B	EXHAUST VALVE	1	29					
10	83724	45	A	TIMING CHAIN ASSY (84)	1	30					
11	83725	20	B	TIMING DRIVEN SPROCKET	1	31					
12	83726	20	B	BOLT M5x12	2	32					
13	83727	45	B	OIL PUMP SPROCKET SHAFT	1	33					
14	83728	45	B	CHAIN GUIDE ROLLER GROUP (45)	1	34					
15	83729	45	B	WASHER 8.5x1.5x14	1	35					
16	83730	45	B	PIN, CAM CHAIN GUIDE ROLLER	1	36					
17	83731	45	B	TENSIONER ROLLER ASSY	1	37					
18	83732	45	B	OIL PUMP DRIVE SPROCKET	1	38					
19	83733	45	B	TENSIONER LEVER COMP	1	39					
20	83734	45	B	AXLE, CAM CHAIN TENSIONER LEVER	1	40					

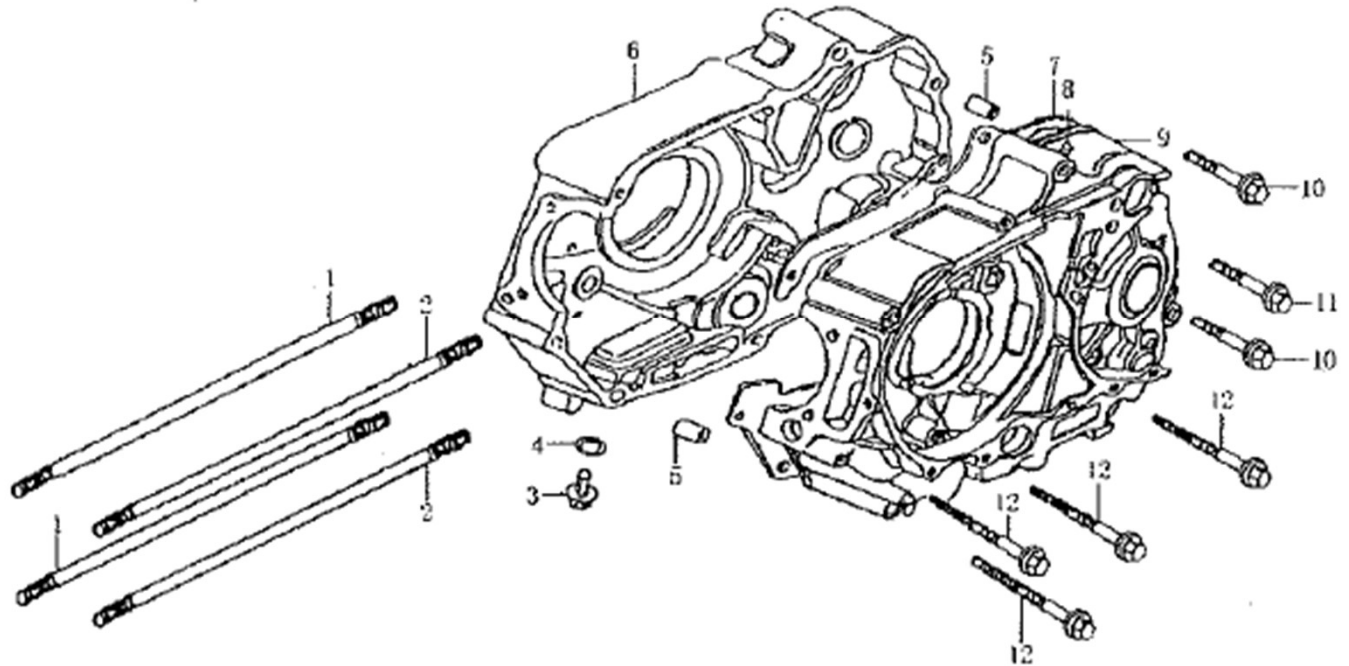
DT115A Parts List



CRANKSHAFT/PISTON/CONNECTING ROD COMP

Ref No.	Part No.	Delivery Date	Priority	English Description	Q'ty	Ref No.	Part No.	Delivery Date	Priority	English Description	Q'ty
1	31796	7	A	CLIP, PISTON PIN	1	21					
2	24999	7	A	PIN, PISTON	1	22					
3	93404	45	A	PISTON	1	23					
4	36549	45	A	PISTON RING COMP	1	24					
5				PISTON RING 1	1	25					
6				PISTON RING 2	1	26					
7				OIL RING ASSY	1	27					
8				BEARING (6304)	2	28					
9				CONNECTING ROD ASSY	1	29					
10				SEMICIRCLE KEY 4x12.5	1	30					
11				TIMING DRIVE SPROCKET	1	31					
12	83765	45	A	CRANKSHAFT COMP.CONNECTING ROD	1	32					
13						33					
14						34					
15						35					
16						36					
17						37					
18						38					
19						39					
20						40					

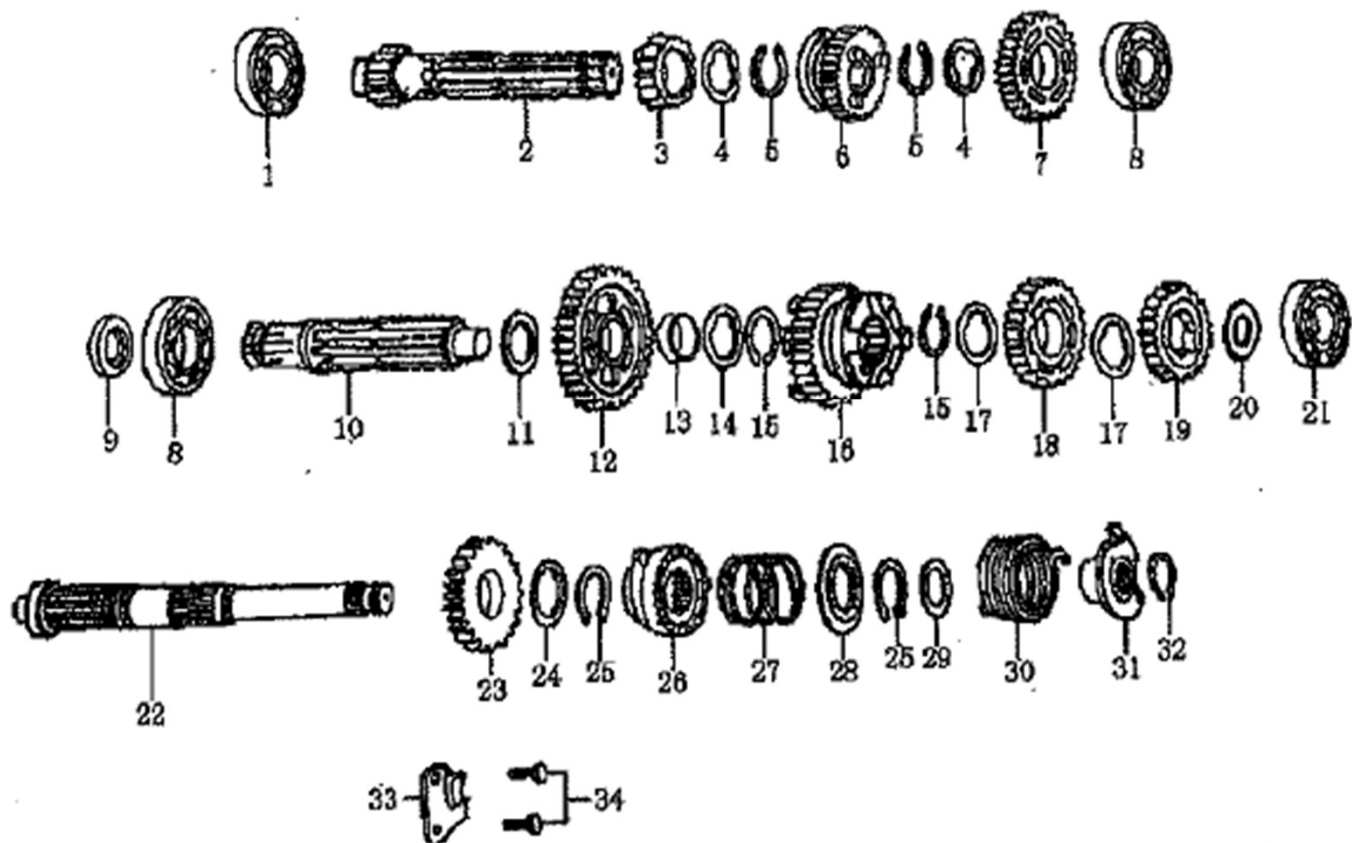
DT115A Parts List



CRANKCASE

Ref No.	Part No.	Delivery Date	Priority	English Description	Q'ty	Ref No.	Part No.	Delivery Date	Priority	English Description	Q'ty
1	83752	45	A	STUD B	2	21					
2	83753	45	A	STUD A	2	22					
3	83765	45	A	OIL DRAIN PLUG M12×1.5	1	23					
4	83754	45	A	WASHER 12.5×1.5×20	1	24					
5	83720	45	B	LOCATING DOWEL 10×14	2	25					
6	83756	45	B	R.CRANKCASE ASSY	1	26					
7	83757	20	A	GASKET, CRANKCASE	1	27					
8	83758	45	C	TIE-IN, BREATHER TUBE	1	28					
9	83721	45	B	L.CRANKCASE ASSY	1	29					
10	83759	45	B	BOLT M6×60	2	30					
11	83760	45	B	BOLT M6×45	1	31					
12	83761	45	B	BOLT M6×65	4	32					
						33					
14						34					
15						35					
16						36					
17						37					
18						38					
19						39					
20						40					

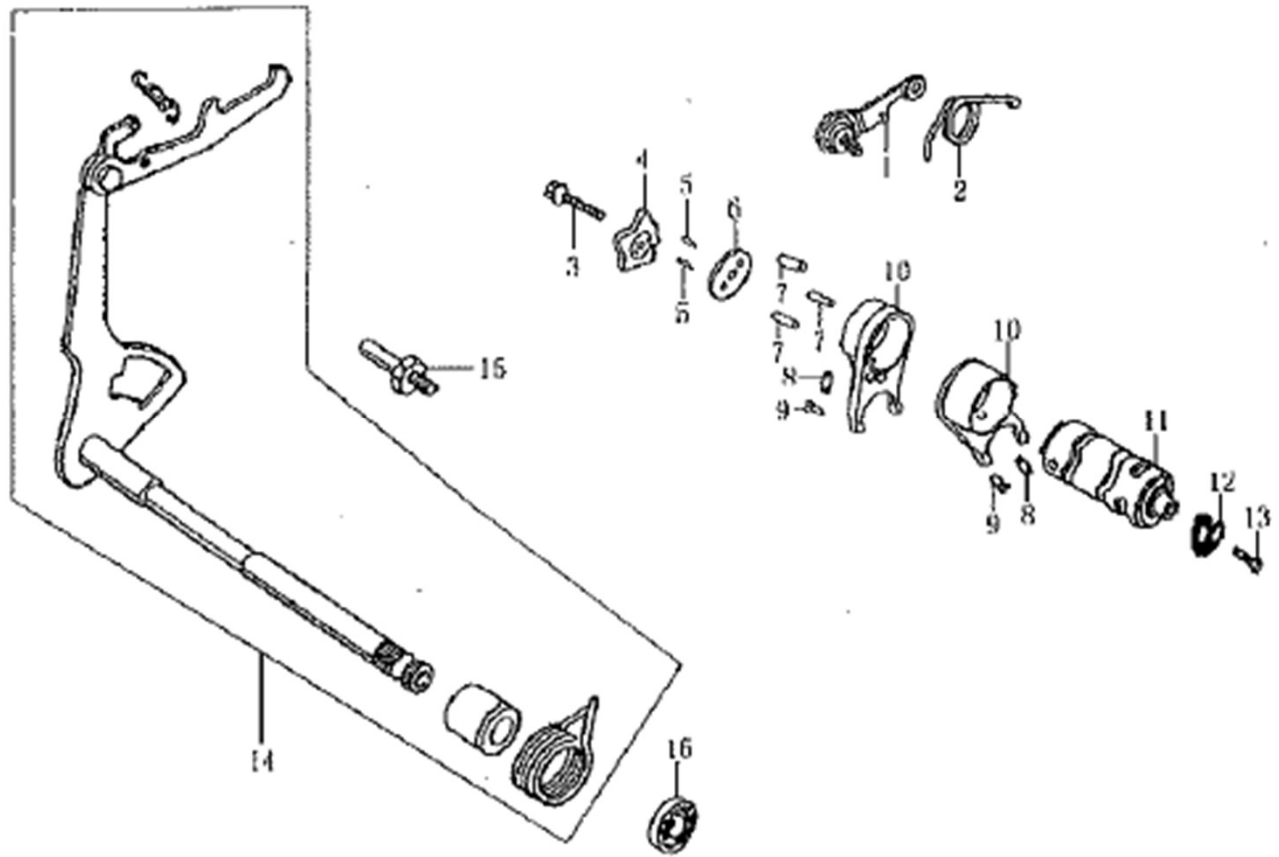
DT115A Parts List



TRANSMISSION MECHANISM

Ref No.	Part No.	Delivery Date	Priority	English Description	Q'ty	Ref No.	Part No.	Delivery Date	Priority	English Description	Q'ty
1	83788	20	A	BEARING (6001)	1	21	83808	20	A	BEARING (6201)	1
2	83789	45	A	PIVOT, MAINSHAFT	1	22	83809	45	A	PIVOT, KICK STARTING SHAFT	1
3	83790	20	A	MAINSHAFT 2ND SPEED GEAR	1	23	83810	45	A	GEAR, KICK STARTER	1
4	83791	20	A	SPACER WASHER 15.5×1.2×21	2	24	83811	20	A	WASHER 20.2×1.0×27	1
5	83792	20	A	CIRCLIP	2	25	83812	20	A	CIRCLIP 20	2
6	83793	20	A	MAINSHAFT 3RD SPEED GEAR	1	26	83813	45	A	RATCHET WHEEL, KICK STARTER	1
7	83794	20	A	MAINSHAFT 4TH SPEED GEAR	1	27	83814	45	A	SPRING, KICK STARTING RATCHET WHEEL	1
8	83795	20	A	BEARING (6203)	2	28	83815	45	A	SPRING SEAT	1
9	83796	20	A	OIL SEAL 17×29×5	1	29	83816	20	A	THRUST WASHER 17.2×1.0×24	1
10	83797	45	A	PIVOT, COUNTERSHAFT	1	30	83817	45	A	RETURN SPRING, KICK STARTING SHAFT	1
11	83798	20	A	THRUST WASHER 17.2×1.2×26	1	31	83818	45	A	SEAT, SPRING, KICK STARTING SHAFT	1
12	83799	45	A	COUNTERSHAFT 1ST SPEED GEAR	1	32	83819	20	A	CIRCLIP 16	1
13	83800	20	A	SLEEVE, COUNTERSHAFT GEAR 20×19	1	33	83820	45	A	BOLT M6×20	2
14	83801	20	A	SPACER WASHER 18.5×1.2×26	1	34	83821	45	A	LIMIT PLATE, KICK STARTING SHAFT	1
15	83802	20	A	CIRCLIP φ18.5	2	35					
16	83803	20	A	COUNTERSHAFT 2ND SPEED GEAR	1	36					
17	83804	20	A	SPACER WASHER 18.5×1.2×24	2	37					
18	83805	20	A	COUNTERSHAFT 3RD SPEED GEAR	1	38					
19	83806	202	A	COUNTERSHAFT 4TH SPEED GEAR	1	39					
20	83807	20	A	WASHER 13.7×0.5×26	1	40					

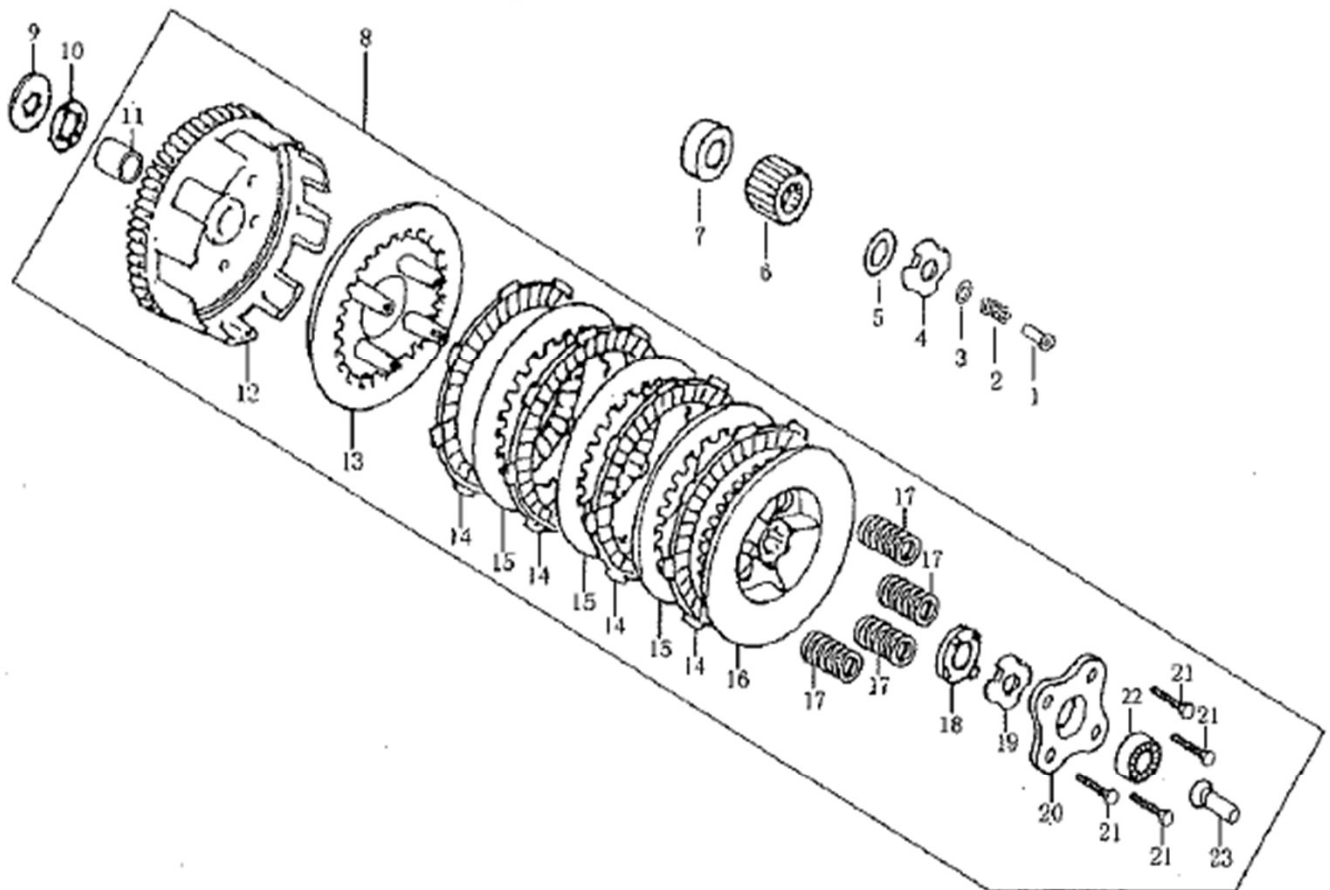
DT115A Parts List



GEARSHIFT MECHANISM

Ref No.	Part No.	Delivery Date	Priority	English Description	Q'ty	Ref No.	Part No.	Delivery Date	Priority	English Description	Q'ty
1	83822	45	A	LOCATING PLATE UNIT	1	21					
2	83823	45	A	SPRING, LOCATING PLATE	1	22					
3	83824	45	A	BOLT M6×16	1	23					
4	83825	45	A	STOPPING PLATE	1	24					
5	83826	45	A	NEEDLE ROLLER, GEARSHIFT DRUM 3×8.8	2	25					
6	83827	45	A	RETAINER, GEARSHIFT DRUM	1	26					
7	83828	45	A	PIN, GEARSHIFT DRUM 4×13	3	27					
8	83829	45	A	GUIDE PIN	2	28					
9	83830	45	A	CLIP, SPRING	2	29					
10	83831	45	A	GEARSHIFT FORK	2	30					
11	83832	45	A	GEARSHIFT DRUM	1	31					
12	83833	45	A	CONTACT, GEAR INDICATION	1	32					
13	83834	45	A	SCREW	1	33					
14	83835	45	A	ASSEMBLY, GEARSHIFT LEVER	1	34					
15	83836	45	A	BOLT M8×11	1	35					
16	83837	20	A	OIL SEAL 11.6×24×10	1	36					
17						37					
18						38					
19						39					
20						40					

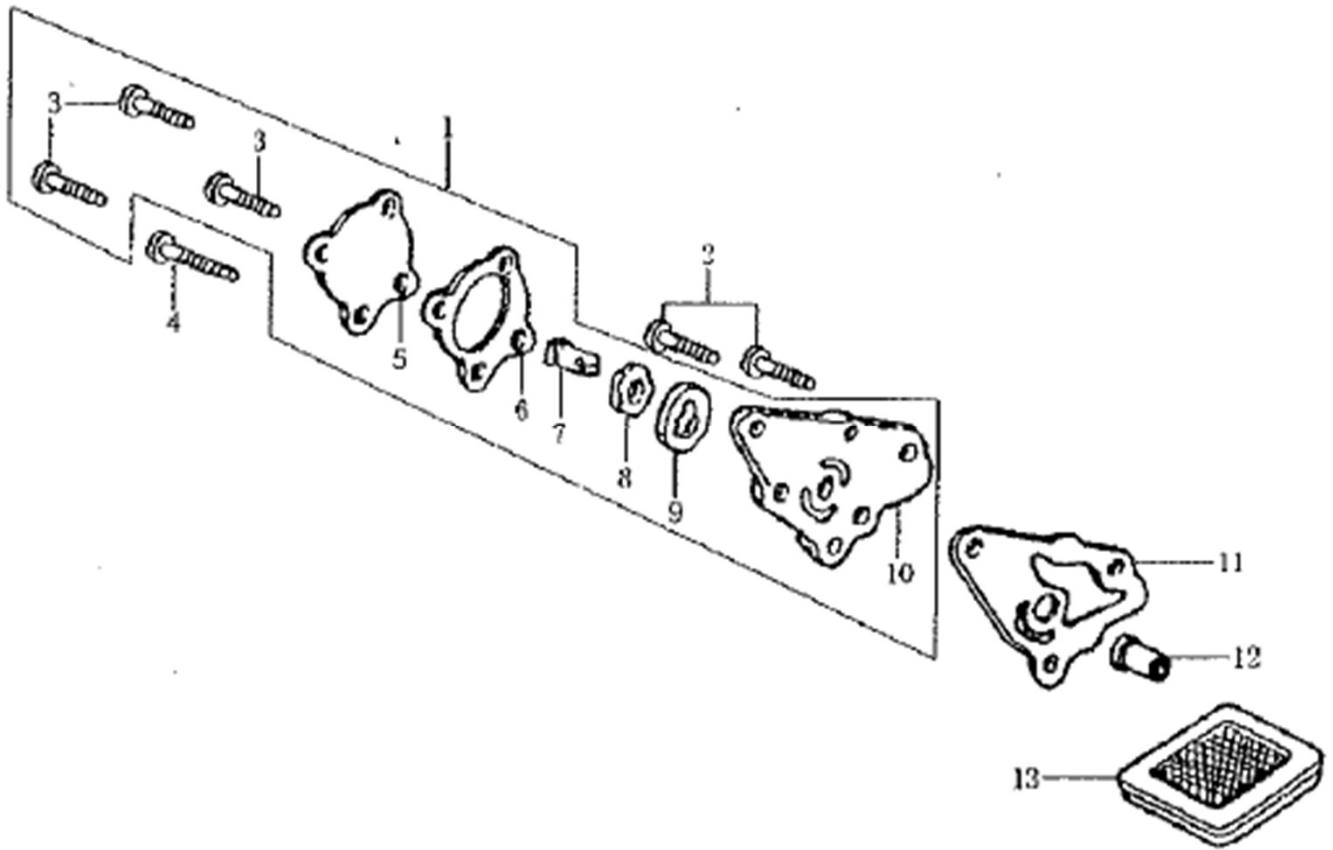
DT115A Parts List



CLUTCH

Ref No.	Part No.	Delivery Date	Priority	English Description	Q'ty	Ref No.	Part No.	Delivery Date	Priority	English Description	Q'ty
1	32775	7	C	OIL THROUGH	1	21	83785	45	C	BOLT M6x22	4
2	83714	7	C	SPRING, OIL THROUGH	1	22	83786	15	A	BEARING (6001)	1
3	32782	7	C	WASHER M6 (SUS)	1	23	83787	15	B	PUSH ROD, CLUTCH	1
4	83768	20	C	NUT	1	24					
5	83769	20	C	SPRING WASHER	1	25					
6	83677	45	B	DRIVE GEAR 18T	1	26					
7	83770	20	C	BOSH	1	27					
8	83771	45	B	CLUTCH ASSEMBLY	1	28					
9	83772	45	C	SPRINE WASHER, CLUTCH	1	29					
10	83773	45	C	FIXING RING, CLUTCH	1	30					
11	83774	45	C	SLEEVE, CLUTCH	1	31					
12	83775	45	B	OUT CASE ASSEMBLY, CLUTCH	1	32					
13	83776	45	B	PRESSURE PLATE, CLUTCH	1	33					
14	83778	20	A	FRICION PLATE, DRIVE, CLUTCH	4	34					
15	83779	20	A	FRICION PLATE, DRIVEN, CLUTCH	3	35					
16	83780	45	A	CENTER SLEEVE, CLUTCH	1	36					
17	83781	45	B	SPRING, CLUTCH	4	37					
18	83782	45	B	THRUST WASHER	1	38					
19	83783	45	B	NUT	1	39					
20	83784	45	C	END COVER, CLUTCH	1	40					

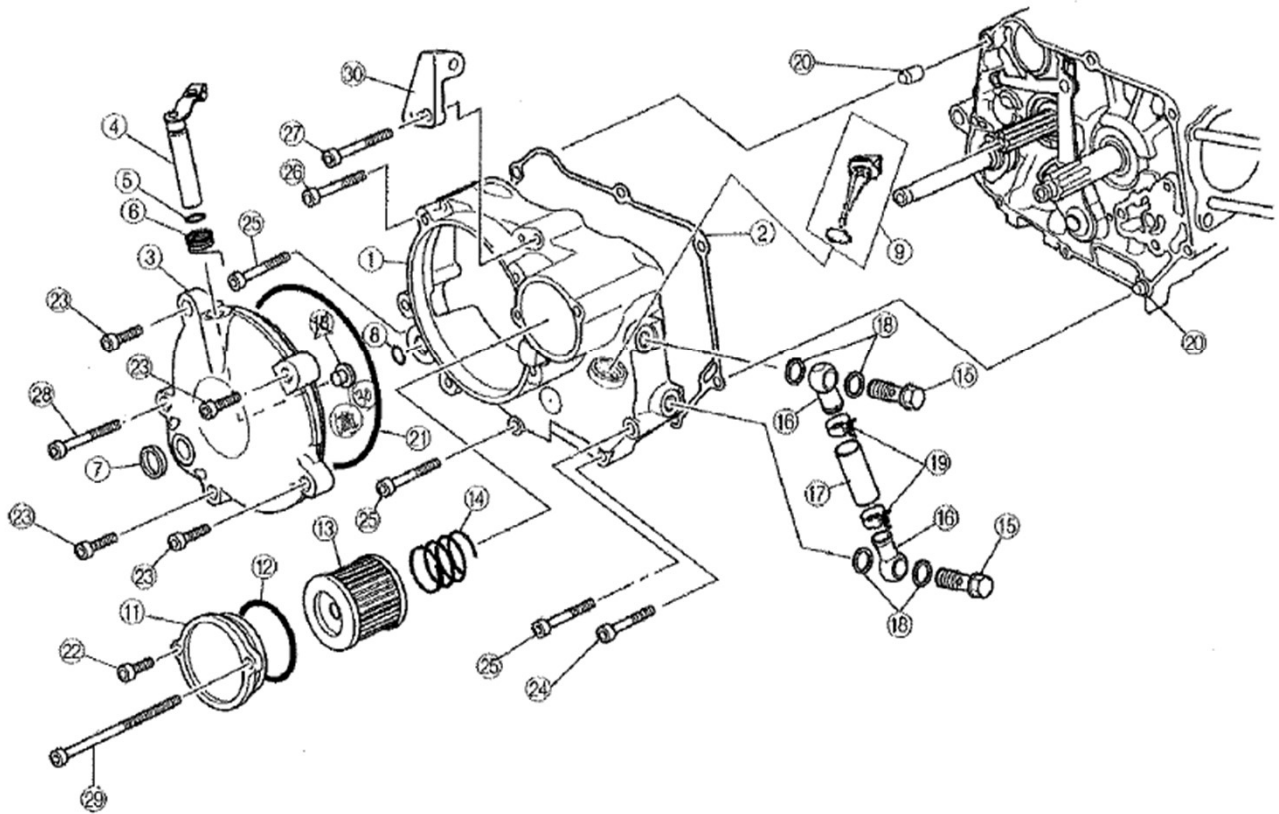
DT115A Parts List



OIL PUMP

Ref No.	Part No.	Delivery Date	Priority	English Description	Q'ty	Ref No.	Part No.	Delivery Date	Priority	English Description	Q'ty
1	83748	45	B	OIL PUMP COMP	1	21					
2	83718			SCREW M6x16	2	22					
3				SCREW M5x10	3	23					
4	83719			SCREW M6x22	1	24					
5				OIL PUMP COVER	1	25					
6				GASKET, OIL PUMP COVER	1	26					
7				SHAFT, OIL PUMP	1	27					
8				INNER ROTOR, OIL PUMP	1	28					
9				OUTER ROTOR, OIL PUMP	1	29					
10				OIL PUMP HOUSE	1	30					
11	83749	20	B	GASKET, OIL PUMP	1	31					
12	83750	20	C	SPROCKET SLEEVE, OIL PUMP	1	32					
13	83751	20	B	OIL FILTER SCREEN	1	33					
14						34					
15						35					
16						36					
17						37					
18						38					
19						39					
20						40					

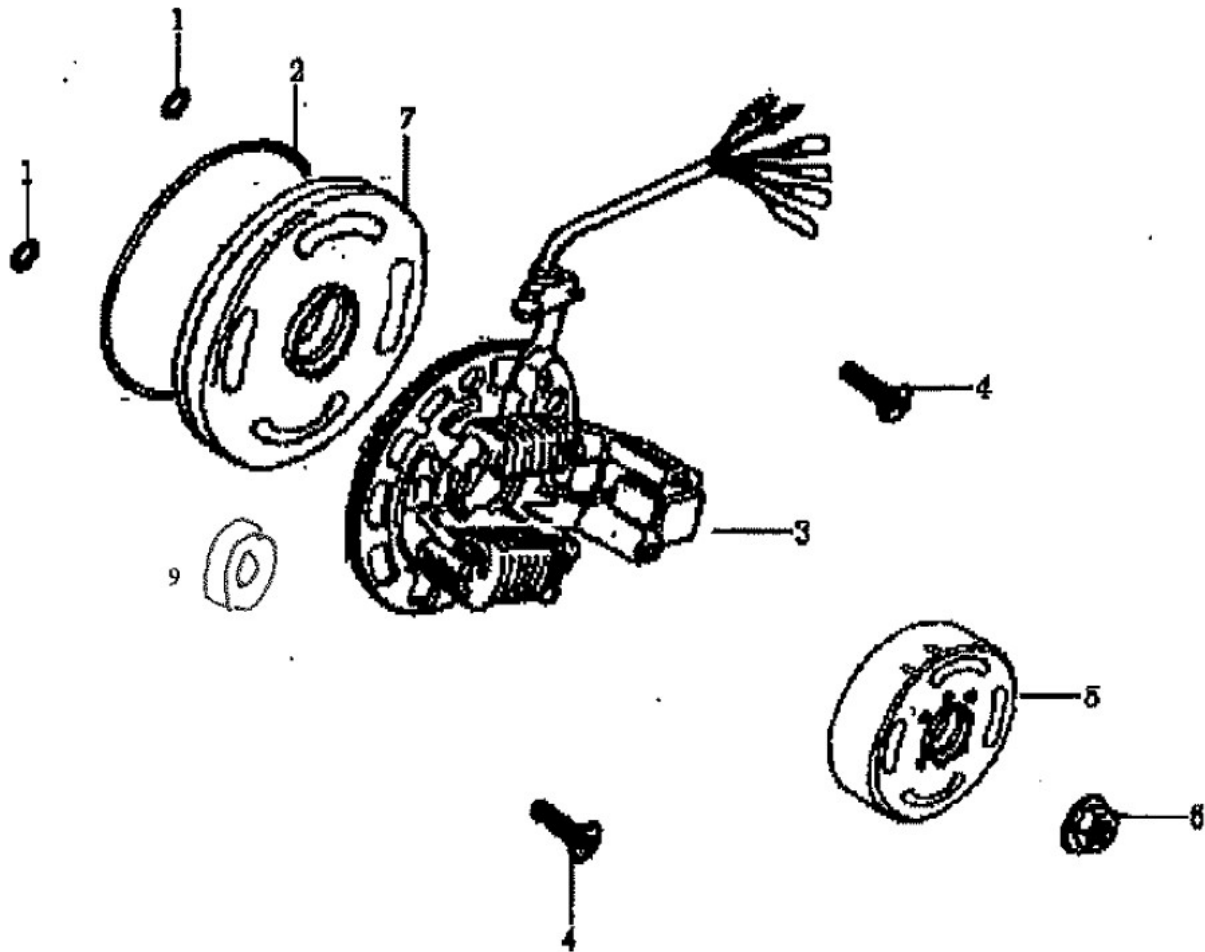
DT115A Parts List



CRANKCASE COVER

Ref No.	Part No.	Delivery L. to	Priority	English Description	Q'ty	Ref No.	Part No.	Delivery Date	Priority	English Description	Q'ty
1	83838	7	B	CRANK CASE COVER , RH	2		32781	20	A	O-RING	1
2	28324	7	A	GASKET, R.CRANKCASE COVER	1	22	32784	7	B	BOLT M6x15	1
3	83838	45	B	OUTER COVER , CLUTCH	1	23	32785	7	B	BOLT M6x20	4
4	83742	20	C	CLUTCH LEVER	1	24	32786	7	B	BOLT M6x40	1
	32781	20	A	O-RING 14x1.5	1	25	32787	7	B	BOLT M6x50	3
6	83743	20	B	CLUTCH LEVEL SPRING	1	26	32788	7	B	BOLT M6x55	1
7	83767	20	A	OIL SEAL 13.8x24x5	1	27	32789	7	B	BOLT M6x60	1
	32781	20	A	O-RING	1	28	32790	7	B	BOLT M6x75	1
9	83745	20	B	OIL CHARGE ASSY	1	29	32792	7	B	BOLT M6x132	1
10				O-RING 18x3	1	30					
11	32772	7	B	COVER,OIL FILTER	1	31					
	32781	20	A	O-RING	1	32					
13	83489	20	A	OIL FILTER	1	33					
14	83859	20	C	OIL FILTER SPRING	1	34					
15	32773	7	B	BANJO BOLT	2	35					
16	33591	7	B	BANJO	2	36					
17	32773	7	B	OIL HOSE	1	37					
18	32777	7	A	SEALING WASHER	4	38					
19	32780	7	B	HOSE CLIP φ10	2	39					
20	83747	20	B	LOCATING DOWEL 8x12	2	40					

DT115A Parts List



MAGNETO COMP

Ref No.	Part No.	Delivery Date	Priority	English Description	Q'ty	Ref No.	Part No.	Delivery Date	Priority	English Description	Q'ty
1	40811	7	A	O-RING 6.5x1.8	2	21					
2	40811	7	A	O-RING 106.8x2	1	22					
3	83722	45	A	STATOR ASSY, MAGNETO	1	23					
4				BOLT M6x16	2	24					
5	83762	45	A	ROTOR ASSY, MAGNETO	1	25					
6	83763	20	B	NUT	1	26					
7	83746	45	A	CDI		27					
8	83744	45	A	WIRING		28					
9	83907			OIL SEAL	1	29					
10						30					
11						31					
12						32					
13						33					
14						34					
15						35					
16						36					
17						37					
18						38					
19						39					
20						40					