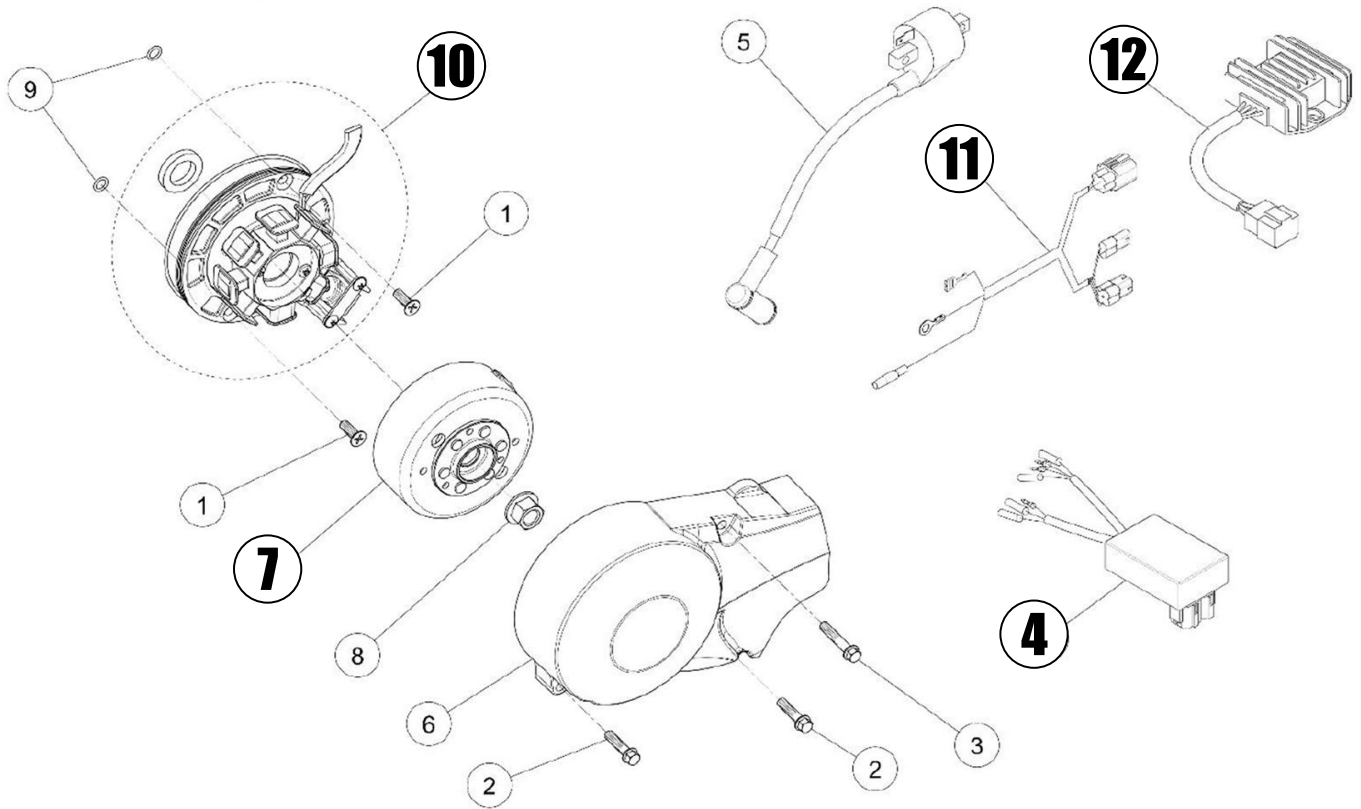


Parts List : Light-Output Conversion for ANIMA150/160/190FSM

DAYTONA
ダイナ



★ Required Parts

8000rpm/min 95W

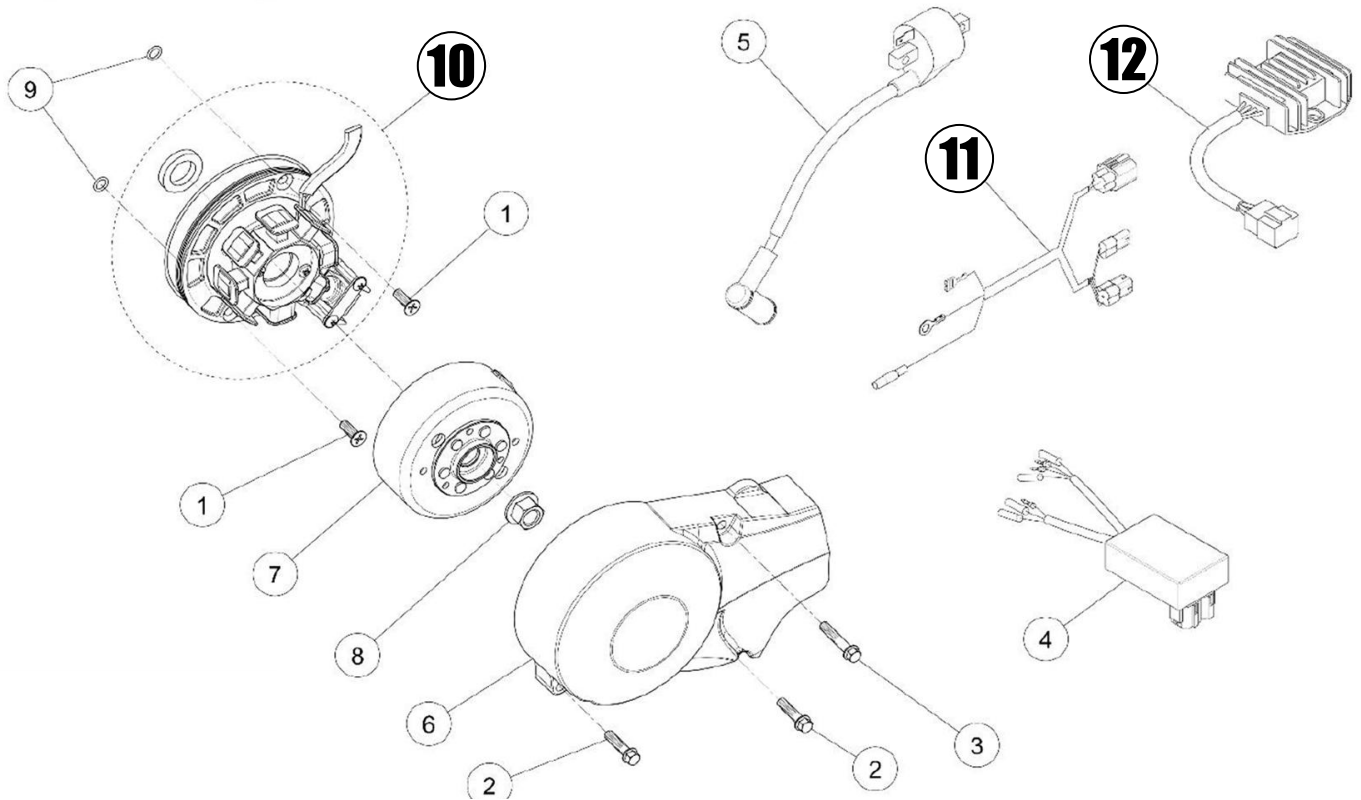
Ref#	Part No.	DESCRIPTION	QTY
4	87349	CDI, SELECTABLE REV & SPARK TIMING	1
7	89678	ROTOR ASSY, BIG	1
10	86430	STATOR ASSY, WITH LIGHT, ANIMA F	1
11	86428	WIRE HERNESS, LIGHT SYSTEM READY	1
12	87189	REGULATE RECTIFIER	1

◎ Suggested Parts to Replace Together

Ref#	Part No.	DESCRIPTION	QTY
1	86461	BOLT, COUNTERSUNK M6x15	2
8	86452	NUT, MAGNET M12	1
9	86479	O-RING, $\Phi 6.5 \times \Phi 1.8$	2
13	83907	OIL SEAL, 19MM FOR ANIMA F	1

Parts List : Light-Output Conversion for ANIMA150/160/190FDX

DAYTONA
DAYTONA



★ Required Parts

8000rpm/min 95W

Ref#	Part No.	DESCRIPTION	QTY
10	86430	STATOR ASSY, WITH LIGHT, ANIMA F	1
11	86428	WIRE HERNESS, LIGHT SYSTEM READY	1
12	87189	REGULATE RECTIFIER	1

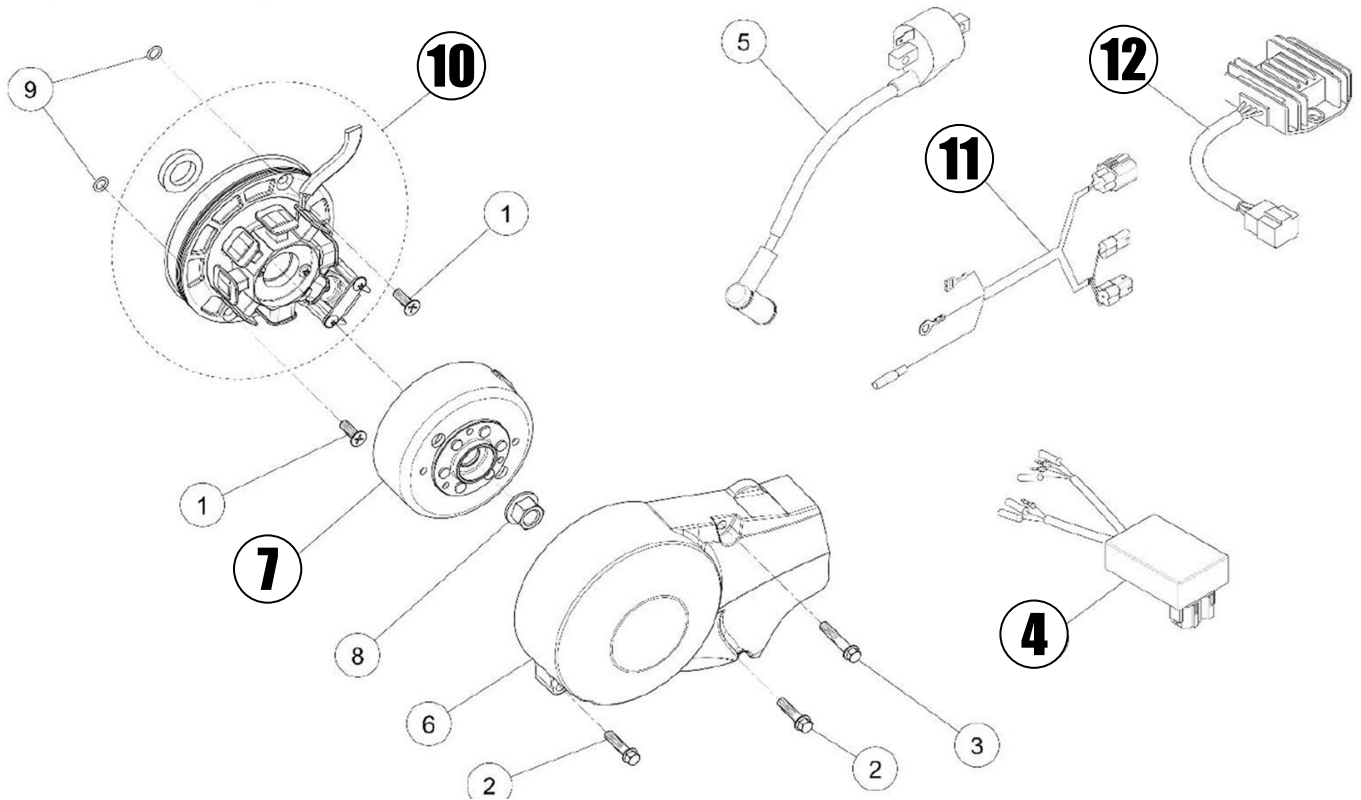
◎ Suggested Parts to Replace Together

Ref#	Part No.	DESCRIPTION	QTY
1	86461	BOLT, COUNTERSUNK M6x15	2
8	86452	NUT, MAGNET M12	1
9	86479	O-RING, Φ6.5xΦ1.8	2
13	83907	OIL SEAL, 19MM FOR ANIMA F	1

Parts List : Light-Output Conversion

DAYTONA
ダイナ

for ANIMA190SYS



★ Required Parts

8000rpm/min 95W

Ref#	Part No.	DESCRIPTION	QTY
4	87349	CDI, SELECTABLE REV & SPARK TIMING	1
7	89678	ROTOR ASSY, BIG	1
10	80750	STATOR ASSY, WITH LIGHT, ANIMA S	1
11	86428	WIRE HERNESS, LIGHT SYSTEM READY	1
12	87189	REGULATE RECTIFIER	1

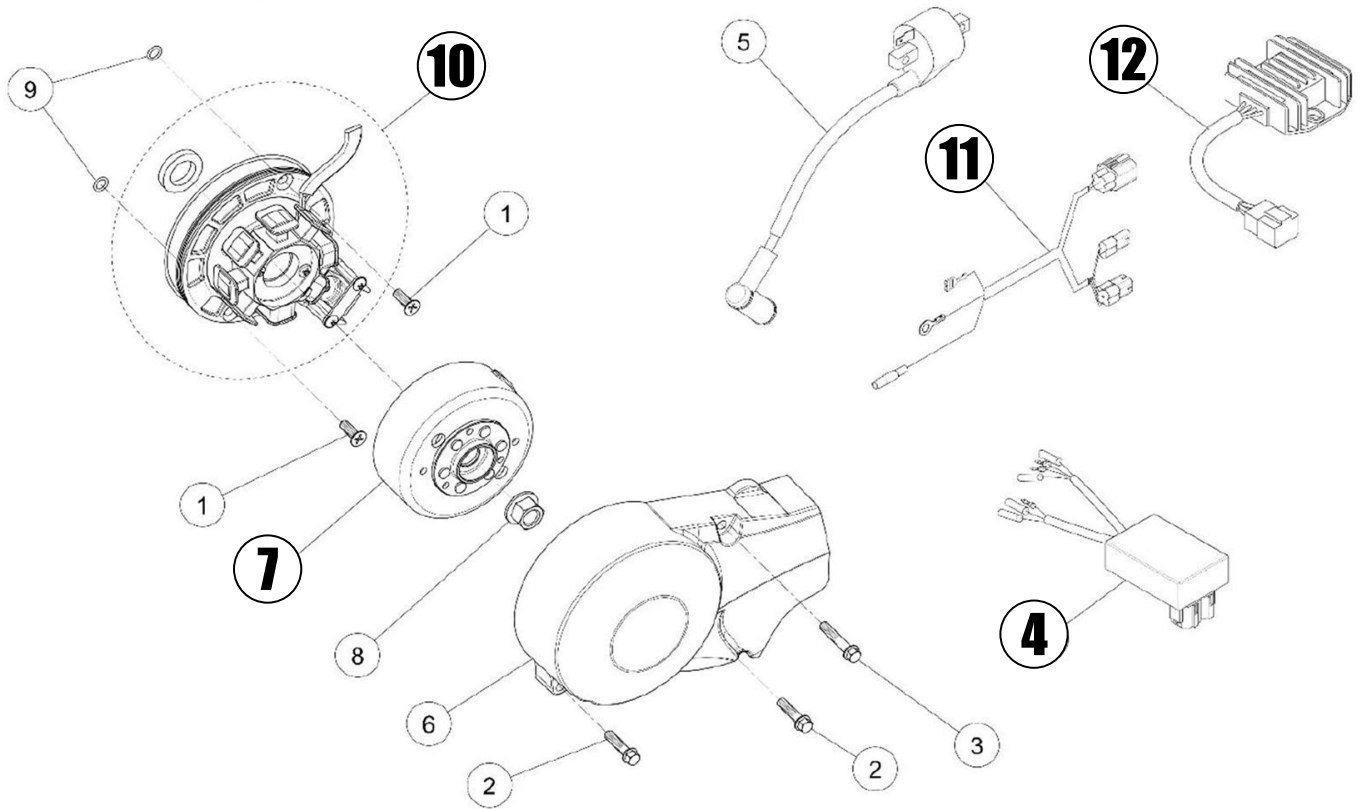
◎ Suggested Parts to Replace Together

Ref#	Part No.	DESCRIPTION	QTY
1	86461	BOLT, COUNTERSUNK M6x15	2
8	86452	NUT, MAGNET M12	1
9	86479	O-RING, Φ6.5xΦ1.8	2
13	80560	OIL SEAL 21MM FOR ANIMA S	1

Parts List : Light-Output Conversion

DAYTONA
ダイナ

for ANIMA190FS5



★ Required Parts

8000rpm/min 95W

Ref#	Part No.	DESCRIPTION	QTY
4	87349	CDI, SELECTABLE REV & SPARK TIMING	1
7	89678	ROTOR ASSY, BIG	1
10	86430	STATOR ASSY, WITH LIGHT, ANIMA F	1
11	86428	WIRE HERNESS, LIGHT SYSTEM READY	1
12	87189	REGULATE RECTIFIER	1

◎ Suggested Parts to Replace Together

Ref#	Part No.	DESCRIPTION	QTY
1	86461	BOLT, COUNTERSUNK M6x15	2
8	86452	NUT, MAGNET M12	1
9	86479	O-RING, Φ6.5xΦ1.8	2
13	83907	OIL SEAL, 19MM FOR ANIMA F	1